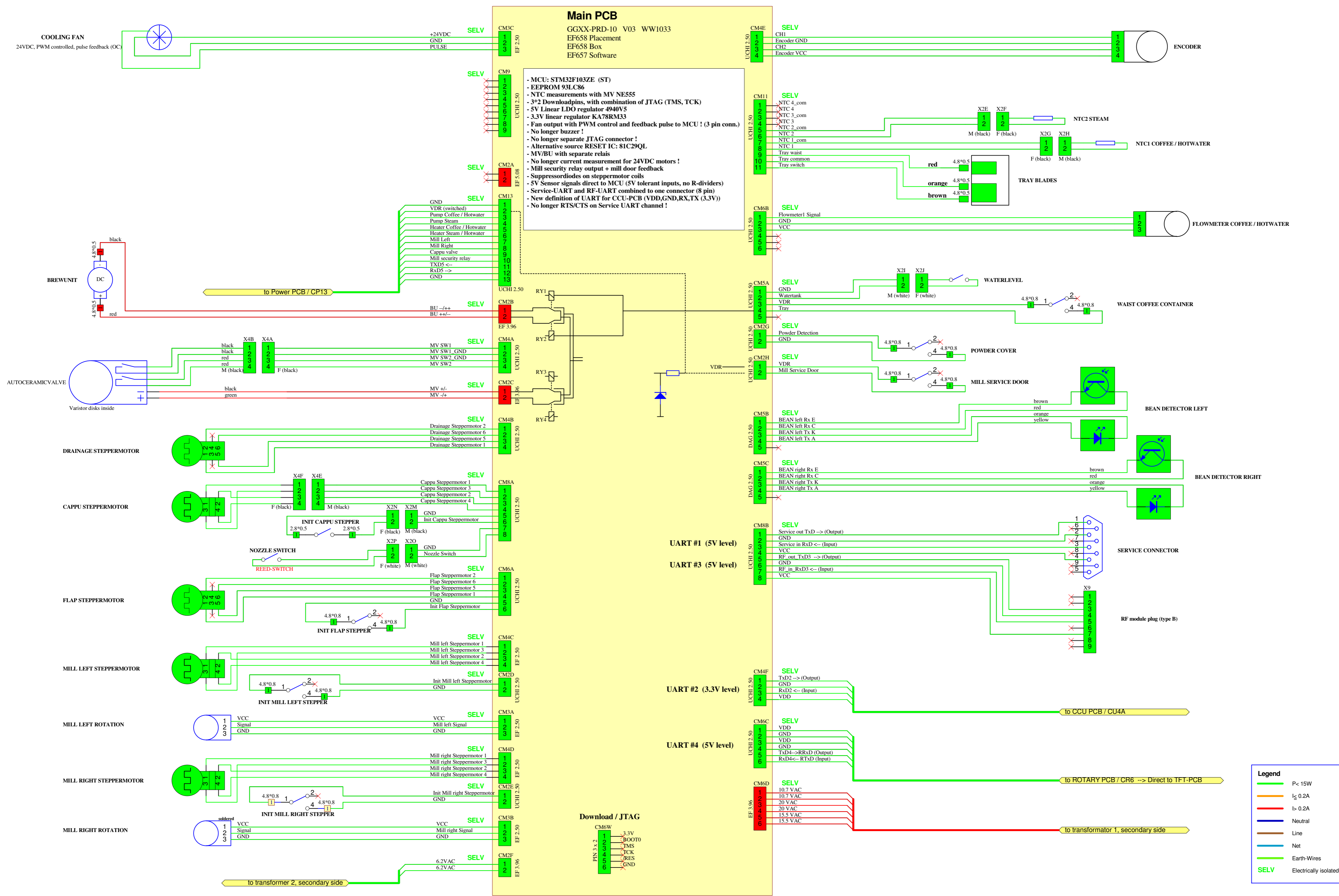


change notice	date	drawn	checked	approved
5 delete approbation status	110428	Ryser Daniel		
4 add Approbation status	110224	Ryser Daniel		
3 correct text in boxes, update for test series 1.0 production!	100721	Ryser Daniel		

	title	
	<b>EF657 GIGA Consumer Blockdiagram Overview</b>	
size	drawingnumber	Revision
<b>A3</b>	<b>EF657 BL_0000 V00.SCHDOC</b>	<b>110428</b>

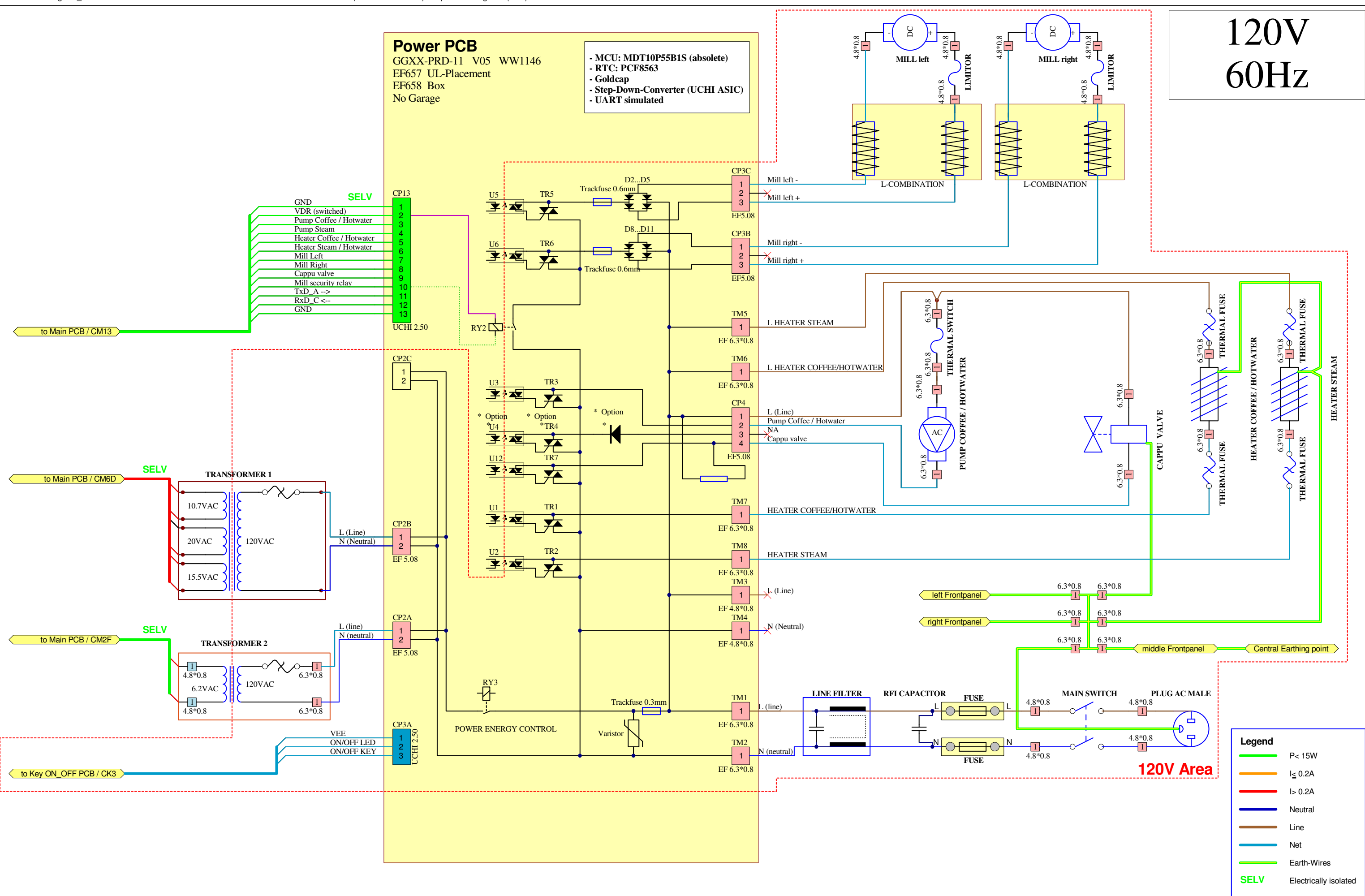


120V  
60Hz

**Power PCB**

GGXX-PRD-11 V05 WW1146  
EF657 UL-Placement  
EF658 Box  
No Garage

- MCU: MDT10P55B1S (absolete)
- RTC: PCF8563
- Goldcap
- Step-Down-Converter (UCHI ASIC)
- UART simulated



**Legend**

- P <= 15W
- I <= 0.2A
- I > 0.2A
- Neutral
- Line
- Net
- Earth-Wires
- SELV Electrically isolated

change notice	date	drawn	checked	approved		title	
4 Set drawing version to V00, for production	120628	Foltrauer Heinz				EF657 GIGA UL Consumer Blockdiagram Power 120V, 60Hz	
3 Delete textmarker EU and UL	120117	Ryser Daniel				size	drawingnumber
2 Integrate textbox with important informations	111117	Ryser Daniel				<b>A3</b>	<b>EF657 BLM0001 V00.SCHDOC</b>
						version	<b>120628</b>