

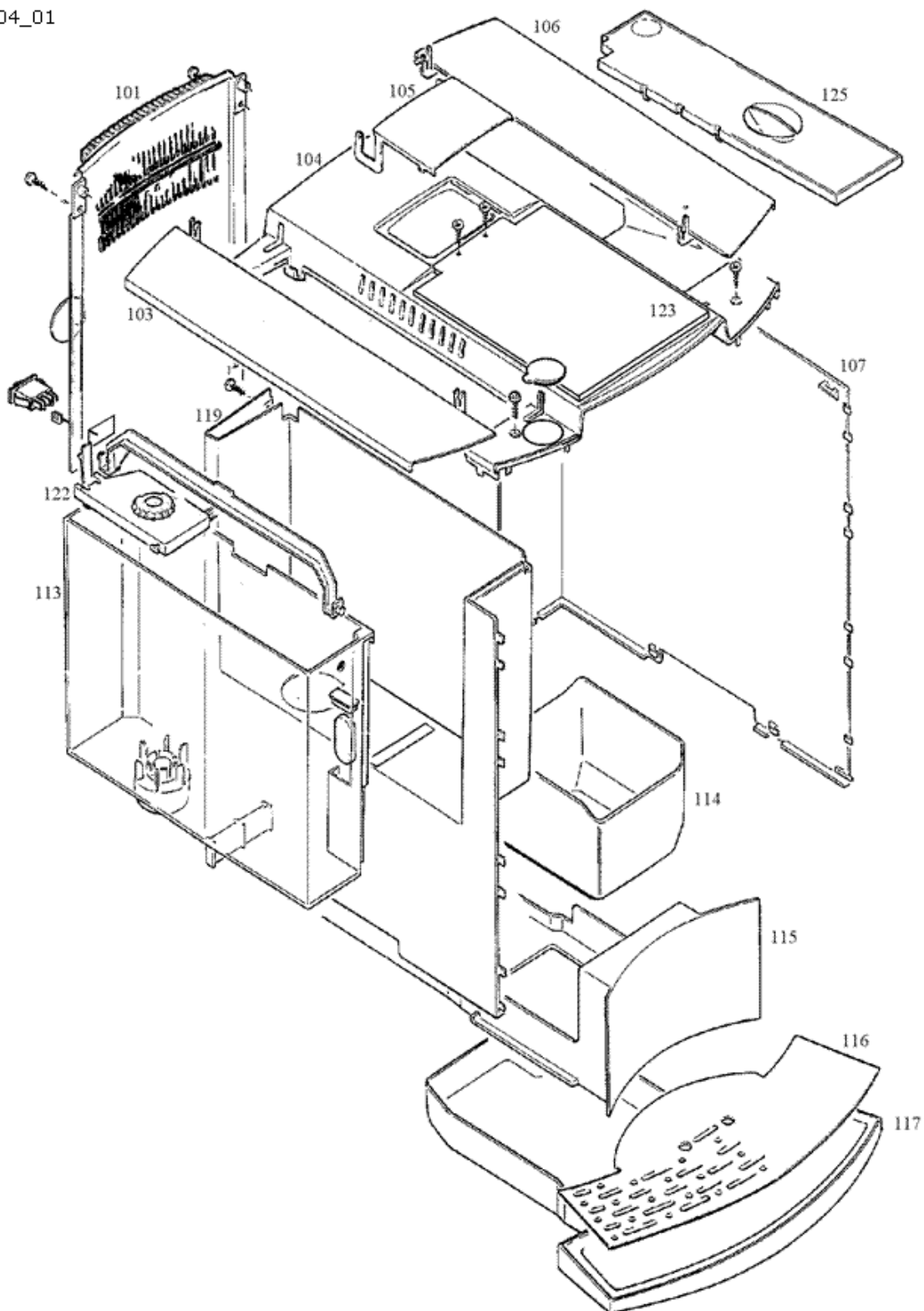
The recycling passport is valid for the following articles:

| | |
|-------|----------------------------------|
| 13304 | Impresa C5 black (CH) |
| 13305 | Impresa C5 black (EU) |
| 13306 | Impresa C5 platinum (CH) |
| 13307 | Impresa C5 platinum (EU) |
| 13325 | Impresa C501 pianoblack (FUST) |
| 13358 | Impresa C Limited Edition (CH) |
| 13359 | Impresa C Limited Edition (EU) |
| 13395 | Impresa C5 black (UK) |
| 13445 | Impresa C5 black |
| 13474 | Impresa C5 white (EU) |
| 13475 | Impresa C5 white (CH) |
| 13478 | Impresa C5 pianoblack (CH) |
| 13479 | Impresa C5 pianoblack (EU) |
| 13480 | Impresa C5 pianoblack |
| 13541 | Impresa C5 platin/black (MIGROS) |

The Variant designations mean:

(1) Case components and water tank

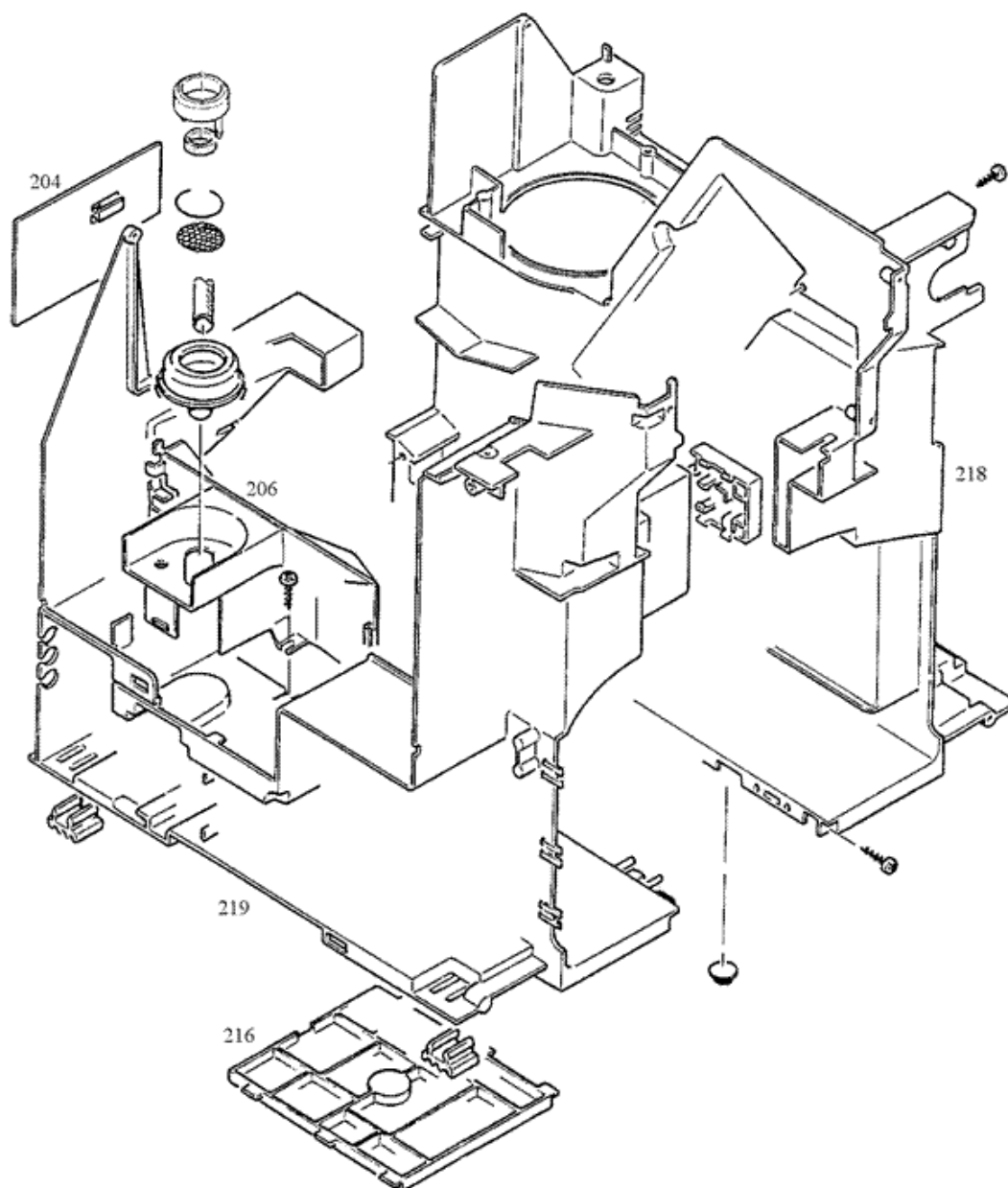
S13304_01



| Pos | Designation | Material | Disassembly | Disposal | Variation | Return |
|------|-----------------------------|------------------|-------------|----------|-----------|--------|
| 0101 | Back black | Plastic | | | | |
| 0103 | Tank lid black | ABS | | | | |
| 0104 | Cover housing black | ABS | | | | |
| 0105 | Powder funnel lid black | Plastic | | | | |
| 0106 | Bean container lid black | ABS | | | | |
| 0107 | Right side section black | ABS | | | | |
| 0113 | Watertank with bracket cpl. | Plastic | | | | |
| 0114 | Used ground container black | ABS | | | | |
| 0115 | Used ground pan black | ABS | | | | |
| 0116 | cup platform alu C-line | AL | | | x | |
| 0116 | cup platform inox C5 | Steel | | | x | |
| 0117 | Drain pan black | ABS | | | | |
| 0119 | Left side section black | ABS | | | | |
| 0122 | Bracket Claris | Plastic | | | | |
| 0123 | Cup support alu | AL | | | x | |
| 0123 | Cup support inox | High-grade steel | | | x | |
| 0125 | Lid to preserve aroma | SAN | | | | |

(2) Case components

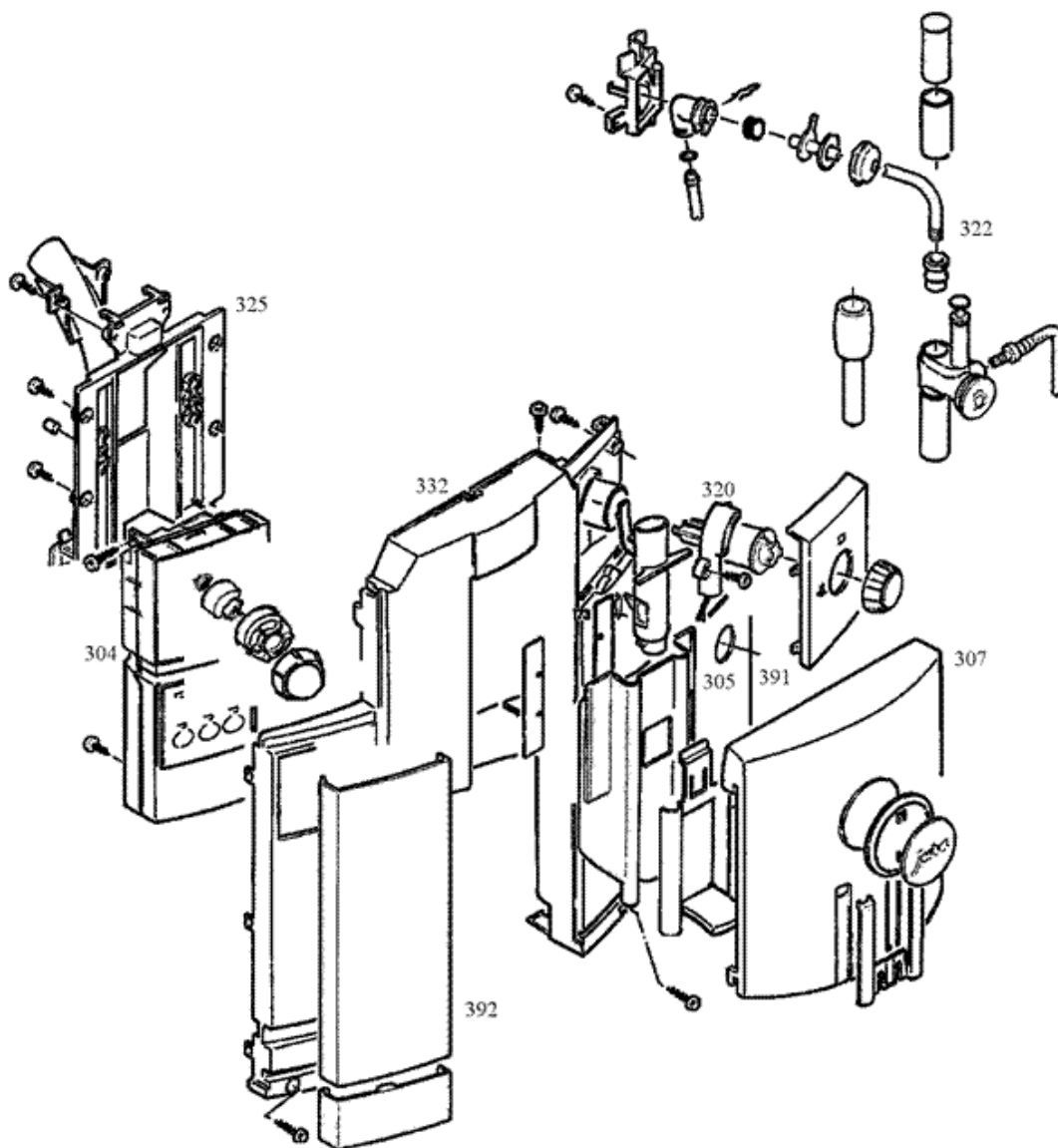
S13304_02



| Pos | Designation | Material | Disassembly | Disposal | Variation | Return |
|------|---------------------------|----------|-------------|----------|-----------|--------|
| 0204 | Funnel plate black | PP | | | | |
| 0206 | Valve carrier black | ABS | | | | |
| 0216 | Cover cable case | ABS | | | | |
| 0218 | Components support destra | ABS | | | | |
| 0219 | Components support V2 | ABS | | | | |

(3) Front cover

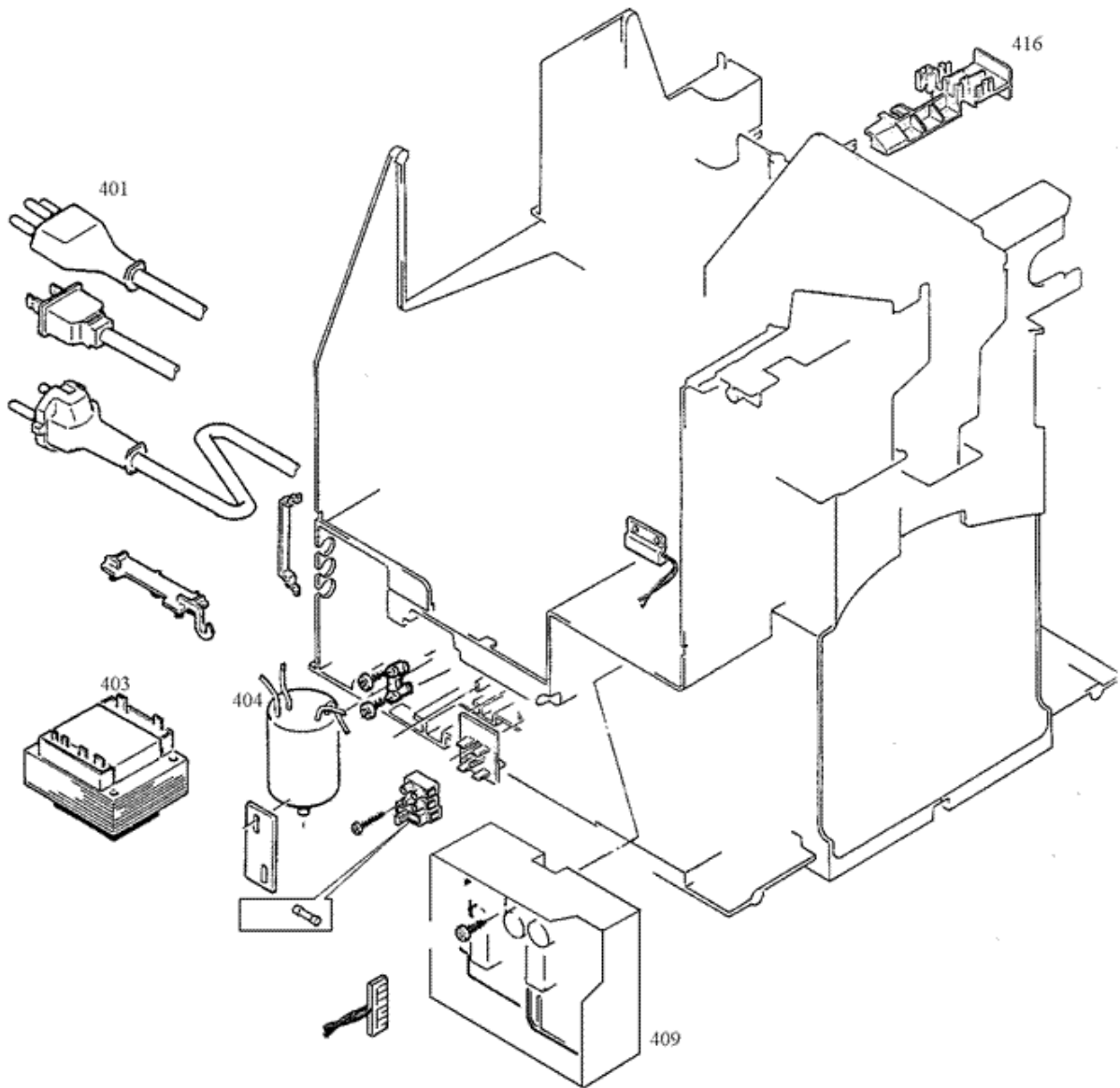
S13304_03



| Pos | Designation | Material | Disassembly | Disposal | Variation | Return |
|------|----------------------------------|--------------------------------|-------------|----------|-----------|--------|
| 0304 | Electronic box | Electronic | | | | |
| 0305 | Outlet gate black | ABS | | | | |
| 0307 | Front shield black | ABS | | | | |
| 0320 | Steam pcb | Electronic | | | | |
| 0322 | ischarge pipe chromium plated | High-grade steel or messing | | | | |
| 0325 | Guide for outlet gate | ABS | | | | |
| 0332 | Front profile black | ABS | | | | |
| 0391 | Front shield pianoblack right | ABS | | | | |
| 0392 | Hinged cover pianoblack | ABS | | | | |

(4) Printed power circuit board

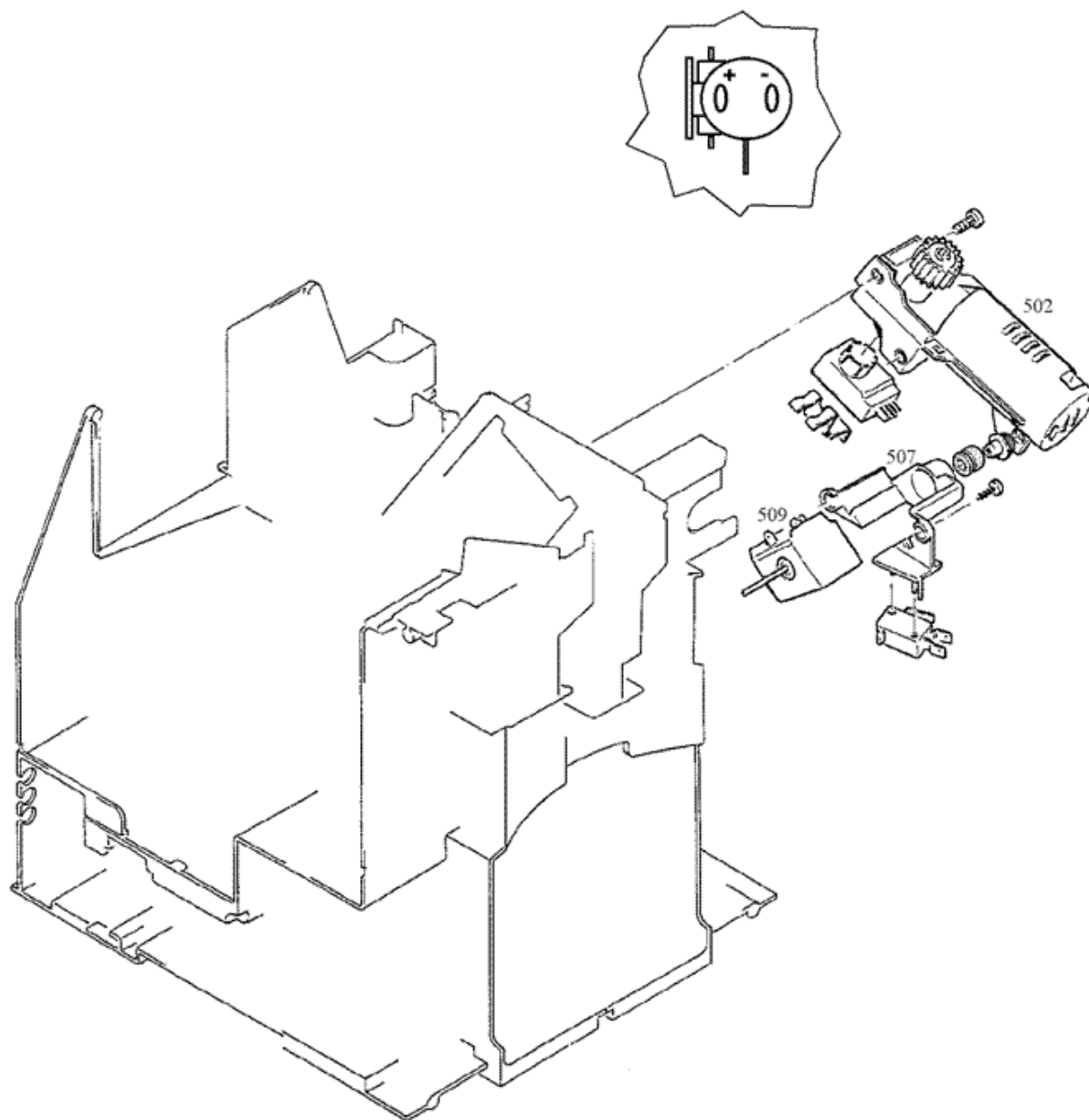
S13304_04



| Pos | Designation | Material | Disassembly | Disposal | Variation | Return |
|------|----------------------------|--------------|-------------|----------|-----------|--------|
| 0401 | Incoming feeder sw RoHS | Copper / Gum | | | | |
| 0403 | Transformer 230V | Electro | | | | |
| 0404 | Interference eliminator | Electro | | | | |
| 0409 | Power pcb 230V | Electronic | | | | |
| 0416 | Support | PC | | | | |

(5) Drive

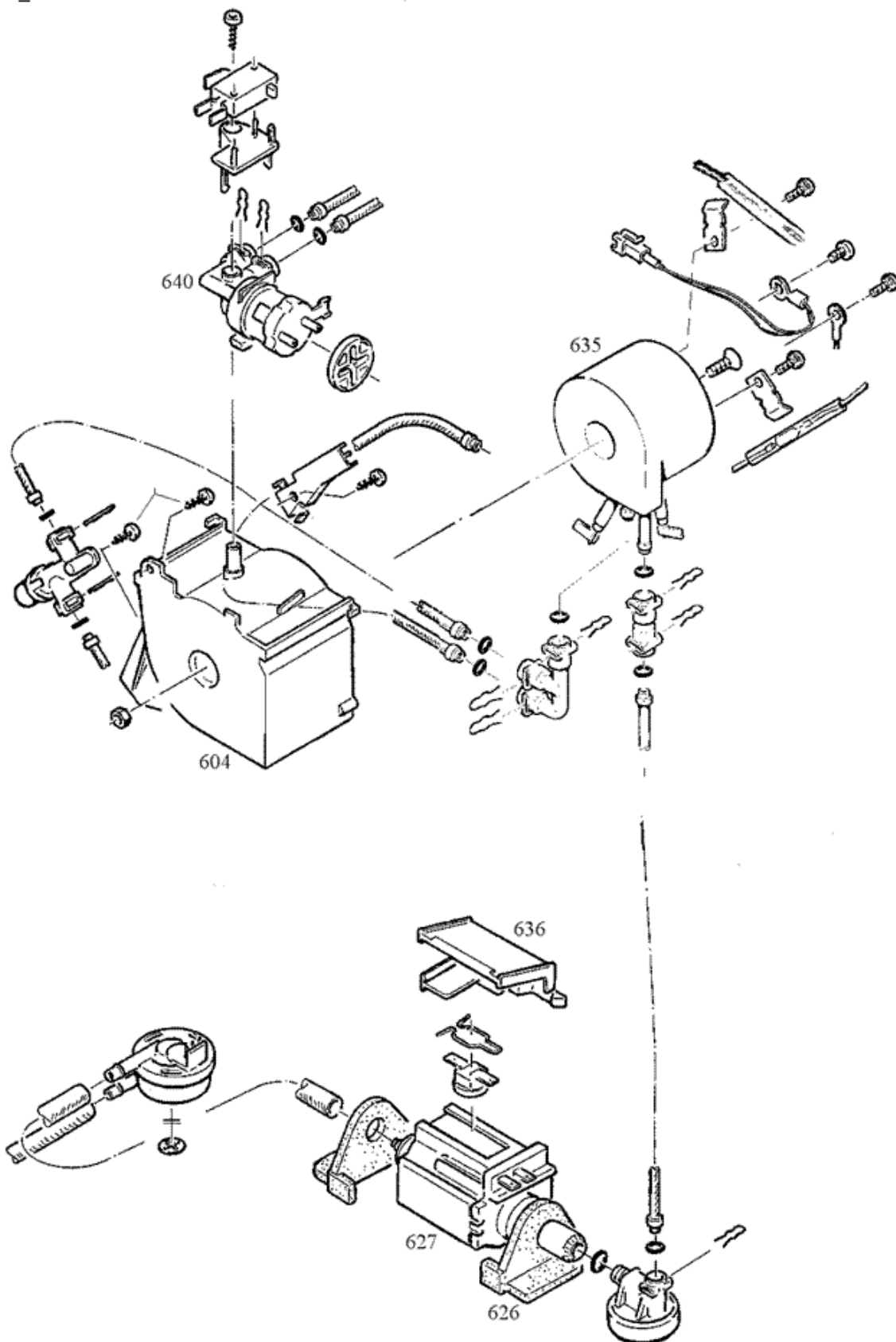
S13304_05



| Pos | Designation | Material | Disassembly | Disposal | Variation | Return |
|------|-----------------------------------|-----------------------------|-------------|----------|-----------|--------|
| 0502 | Geared motor E30 ass. RoHS | Electro / PPO | | | | |
| 0507 | Drainage valve support | ABS | | | | |
| 0509 | Magnet drainage valve IEC 230V | Copper / Steel / Plastic | | | | |

(6) Heater

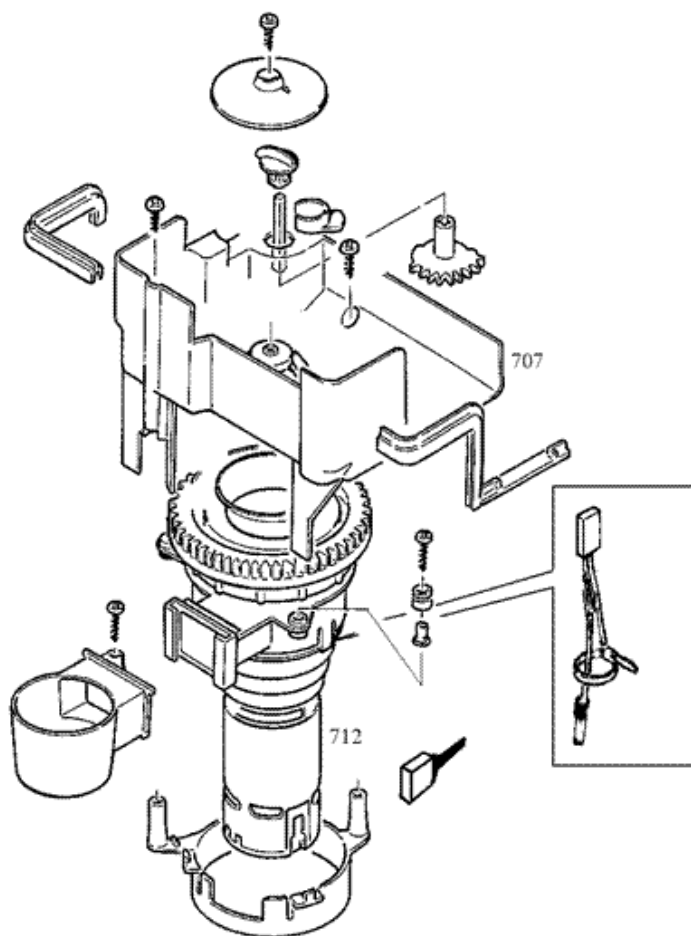
S13304_06



| Pos | Designation | Material | Disassembly | Disposal | Variation | Return |
|------|--------------------------------|-----------------------|-------------|----------|-----------|--------|
| 0604 | Heating support thermoblock | PA | | | | |
| 0626 | Pump carrier version 2 | Gum | | | | |
| 0627 | Pump 230V/50Hz/60W | Electro | | | | |
| 0635 | T-Block sold. nipp. 230V/1400W | AL / High-grade steel | | | | |
| 0636 | Cover black | ABS | | | | |
| 0640 | Steam valve assembled | Plastic / Silicone | | | | |

(7) Grinder

S13304_07



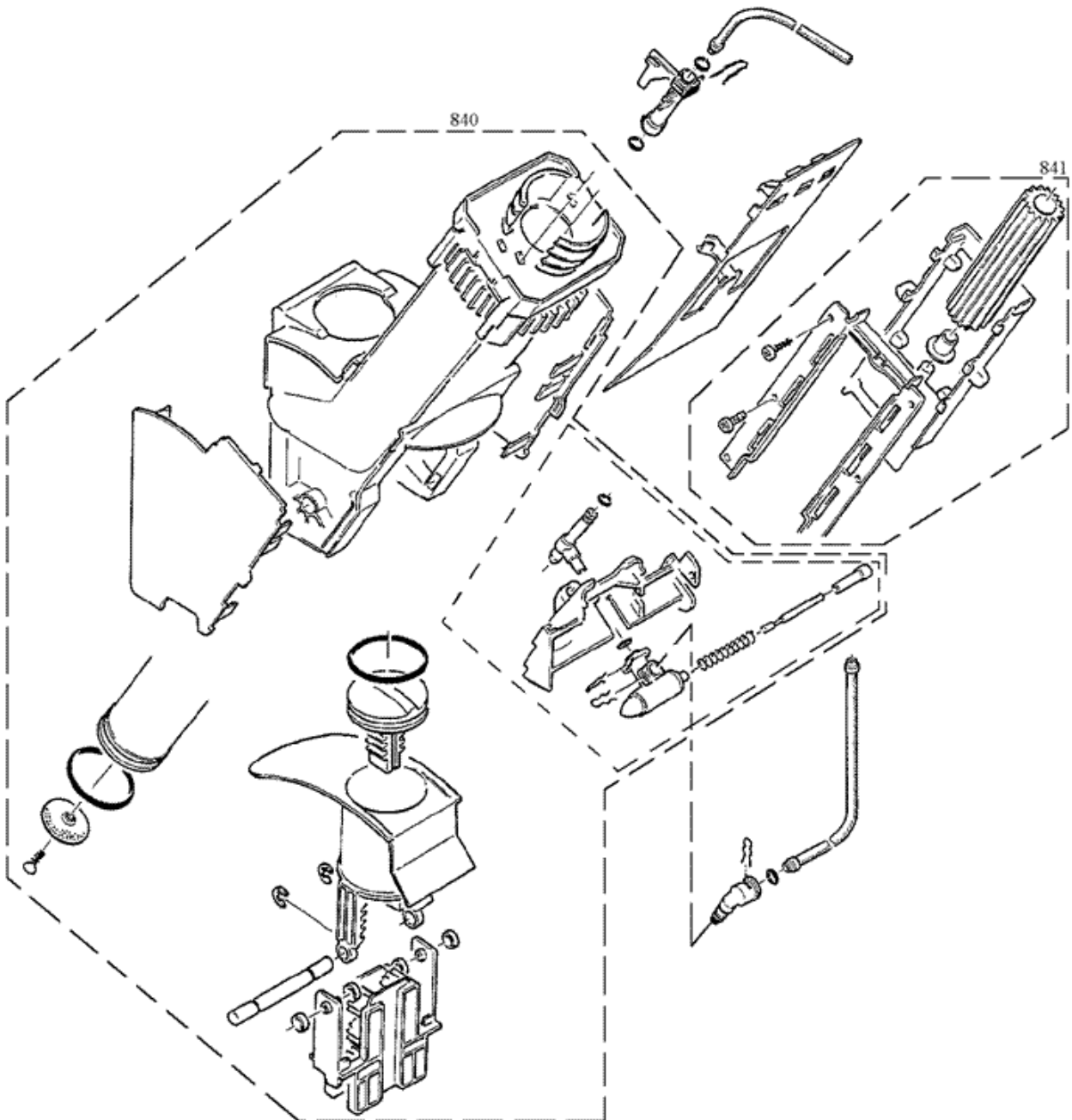
RP13304 Impresa C5 black (CH)
Edition: 27/10/09

651

| Pos | Designation | Material | Disassembly | Disposal | Variation | Return |
|------|---------------------------------|-------------------------------------|-------------|----------|-----------|--------|
| 0707 | Bean container black printed | PP | | | | |
| 0712 | Grinder unit 230V "choke" | Electro / POM / PA / NBR / Steel | | | | |

(8) Brew unit

S13304_08



RP13304 Impresa C5 black (CH)
Edition: 27/10/09

651

| Pos | Designation | Material | Disassembly | Disposal | Variation | Return |
|------|---------------------|------------------|-------------|----------|-----------|--------|
| 0840 | Brew unit universal | POM / PA / Steel | | | | |
| 0841 | Guide 114mm | AL / POM | | | | |