

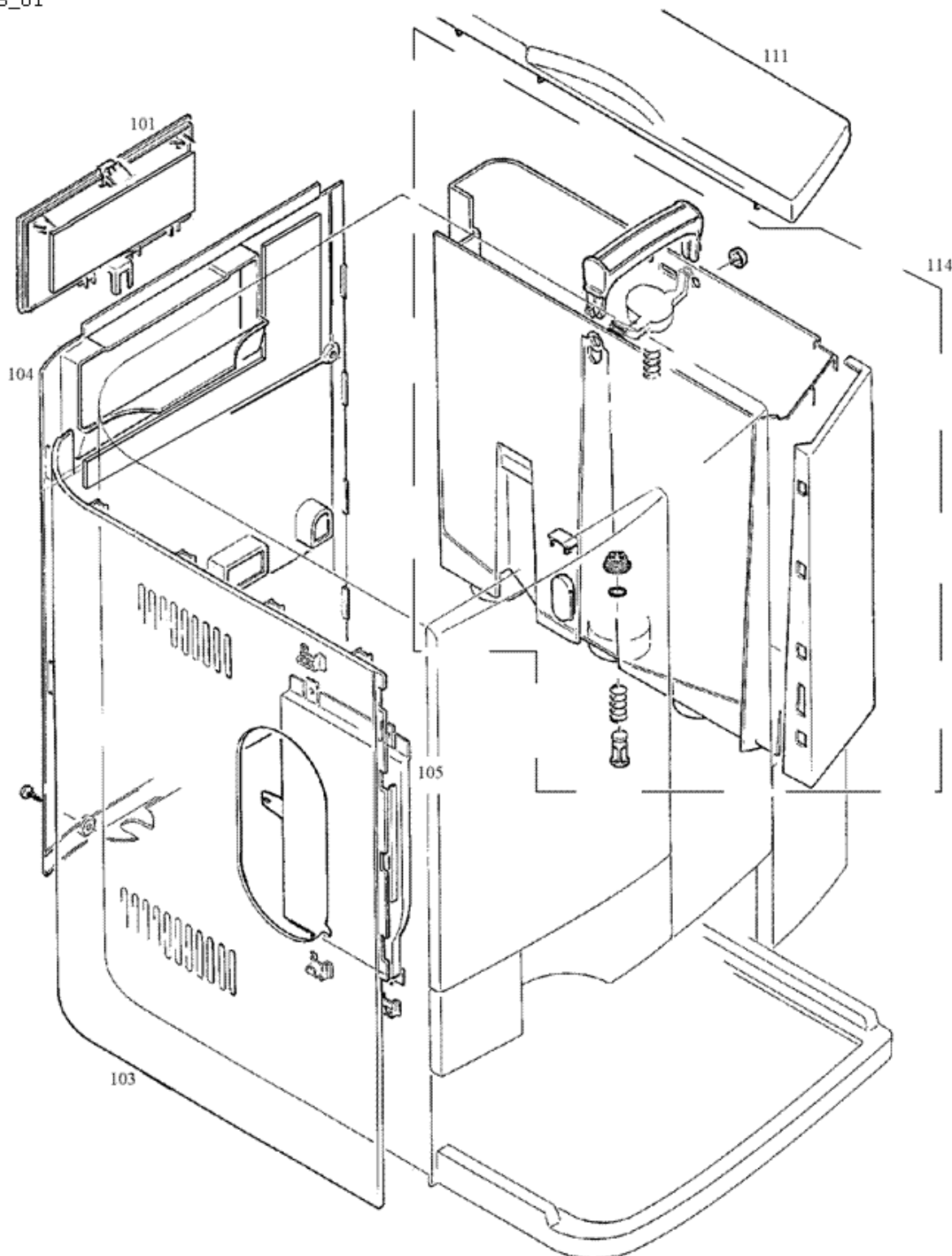
The recycling passport is valid for the following articles:

13028	Impresa X7 black (CH)
13029	Impresa X7 black (EU)
13057	Impresa X7 black (UL)
13109	Impresa X7 cappuccino (CH)
13110	Impresa X7 cappuccino (EU)
13118	Impresa X7 black (UL)
13119	Impresa X7 cappuccino (UL)
13149	Impresa X7 black NSF (UL)
13160	Impresa X7 black (JP)
13293	Impresa X7 black (CCC)
13320	Impresa X7-S black (CH)
13321	Impresa X7-S black (EU)
13326	Impresa X7-C cappuccino (EU)
13347	Impresa X7-S black (CCC)
13352	Impresa X7-S black (JP)
13436	Impresa X7-S black

The Variant designations mean:

(1) Case cover

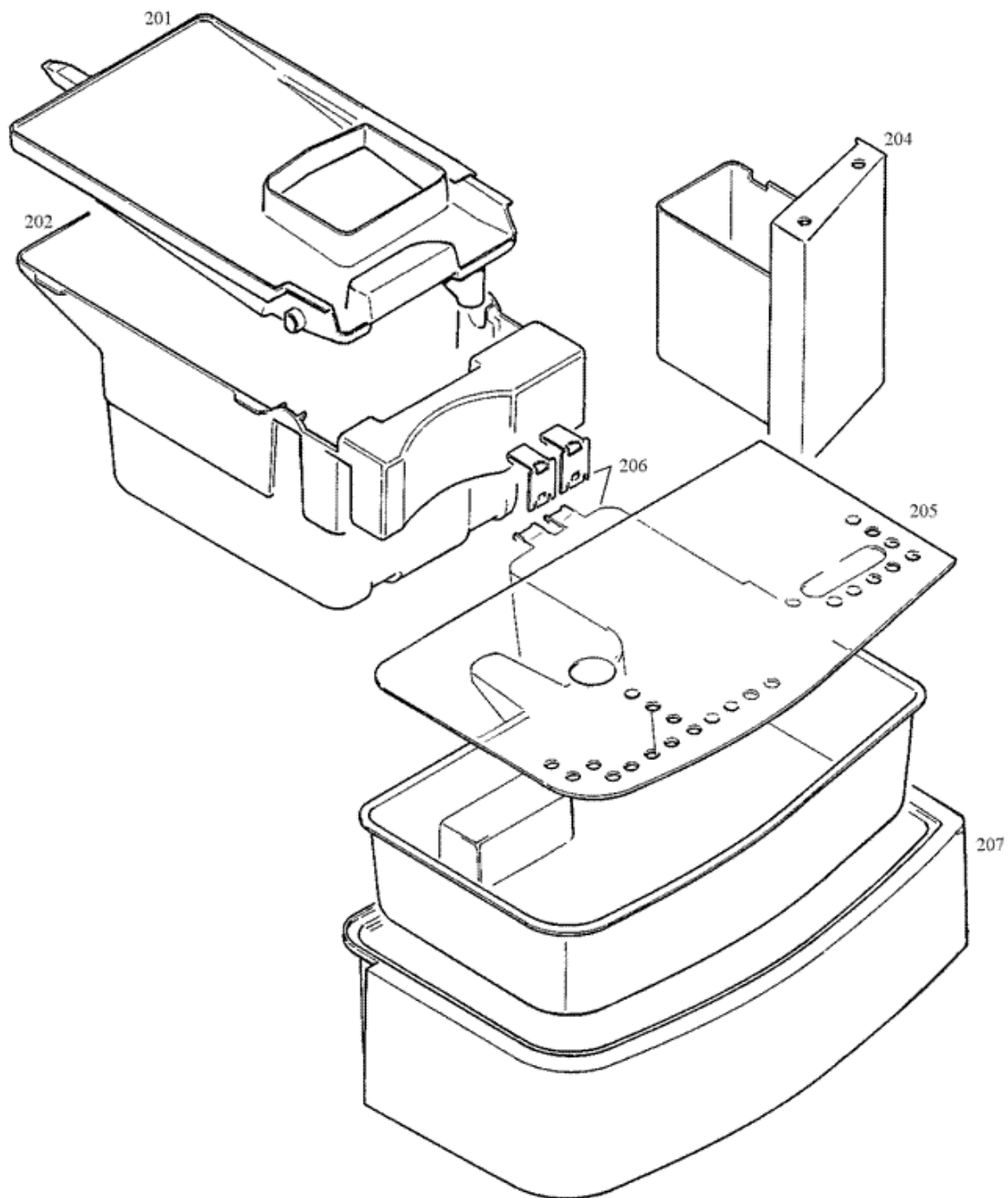
S13028_01



Pos	Designation	Material	Disassembly	Disposal	Variation	Return
0101	Lid black	ABS				
0103	Left side section black	ABS				
0104	Back black	ABS				
0105	Hinged cover left	ABS				
0111	Tank lid	ABS			x	
0111	Tank lid cappu.	ABS			x	
0114	Watertank assembled NSF	Plastic			x	
0114	Watertank X7 cap. CLARIS Pro	Plastic			x	
0114	Watertank big X7/X9 CLARIS Pro	Plastic			x	

(2) Pan

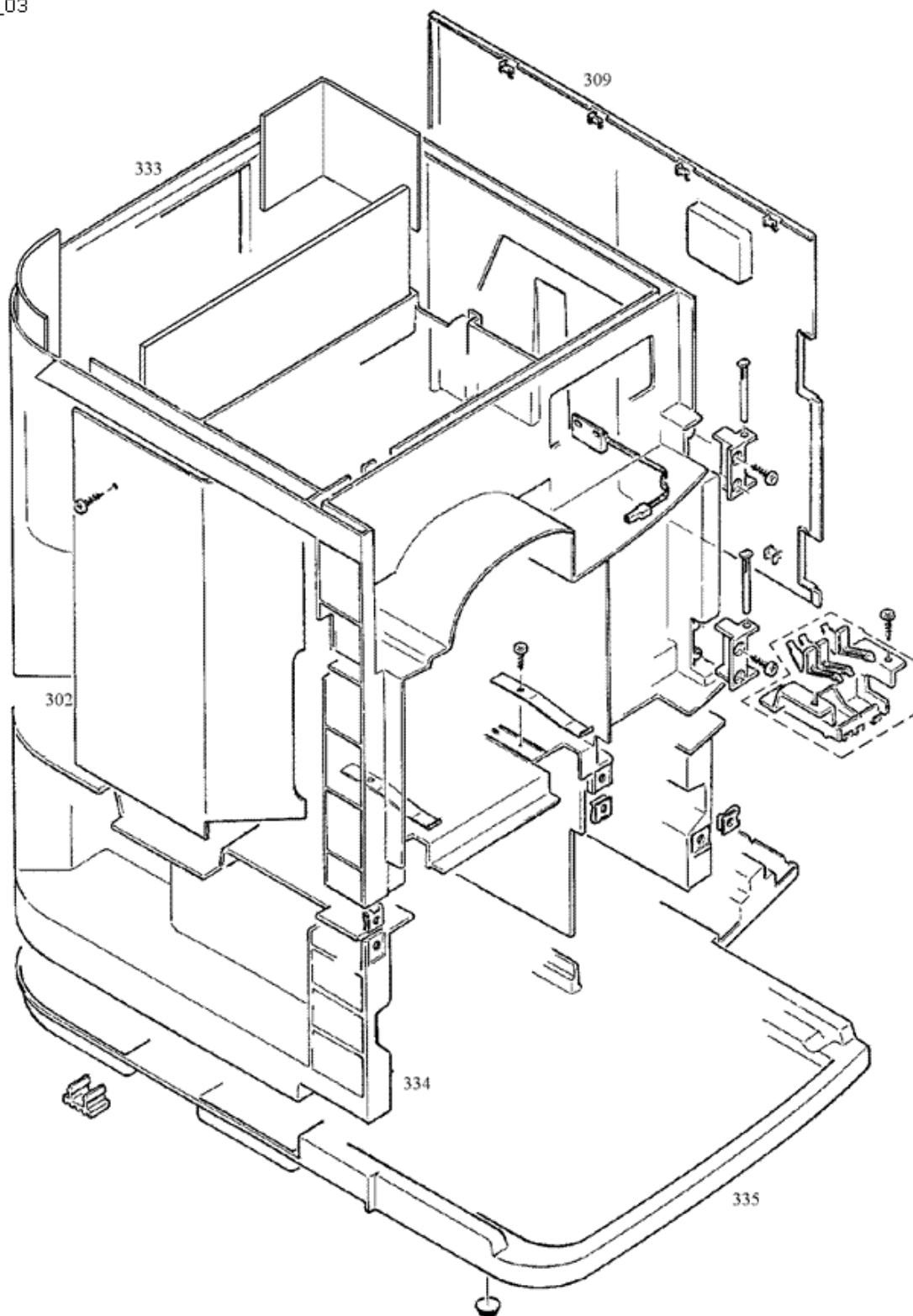
S13028_02



Pos	Designation	Material	Disassembly	Disposal	Variation	Return
0201	Used ground shield	PP				
0202	Used ground container black	PP				
0204	Drawer cappu.	ABS			X	
0204	Coin drawer	ABS			X	
0205	cup grille inox X7 V2	High-grade steel			X	
0205	cup grille X7	High-grade steel			X	
0206	Drain pan assembled	PP / Steel				
0207	Pan cappu.	ABS			X	
0207	Tray	ABS			X	

(3) Case components

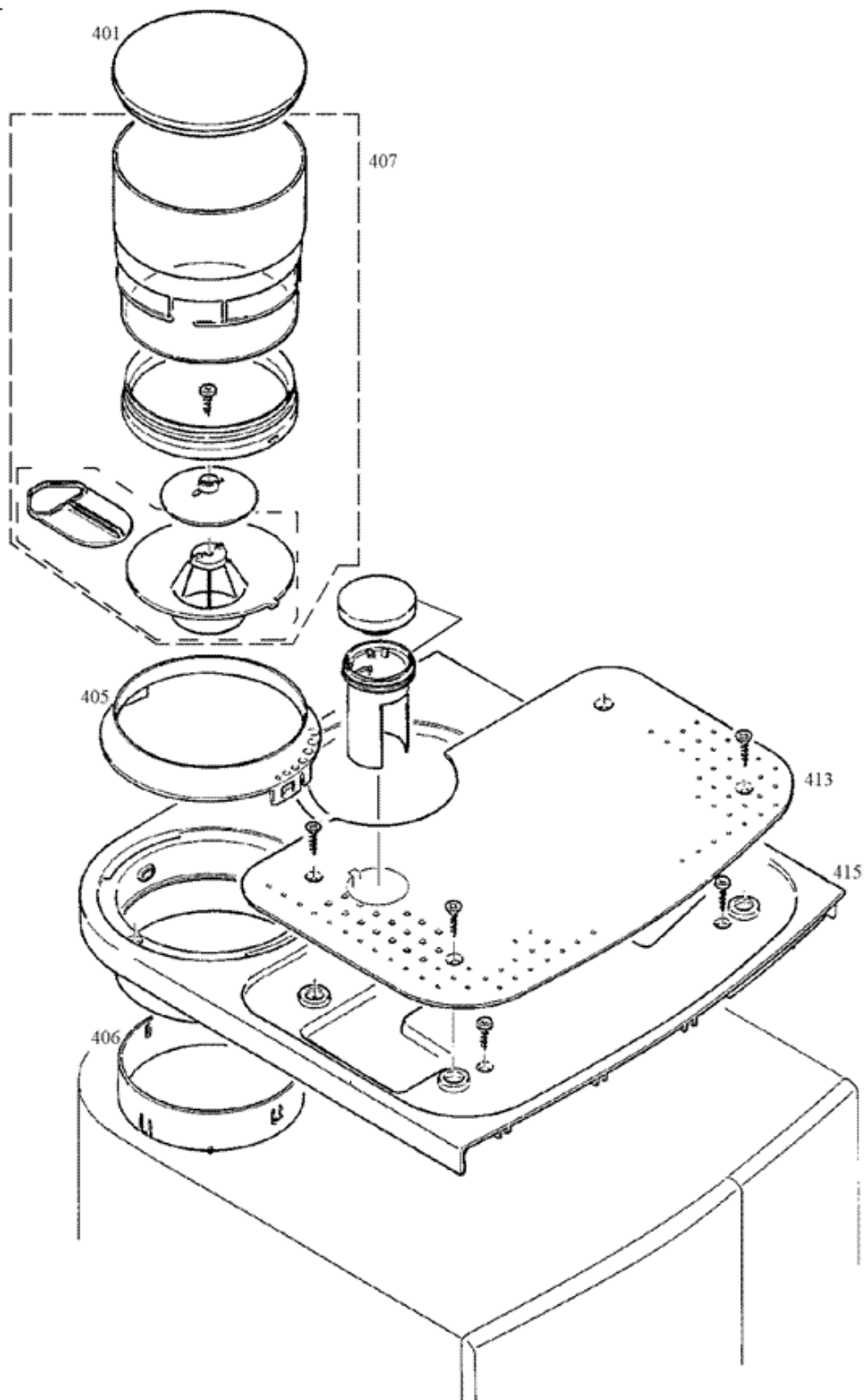
S13028_03



Pos	Designation	Material	Disassembly	Disposal	Variation	Return
0302	Protective wall brew unit	AL				
0309	Right side section black	ABS				
0333	Support X7/X9 above	ABS				
0334	Support X7/X9 bottom	ABS				
0335	Bottom	ABS / PC				

(4) Grinder case

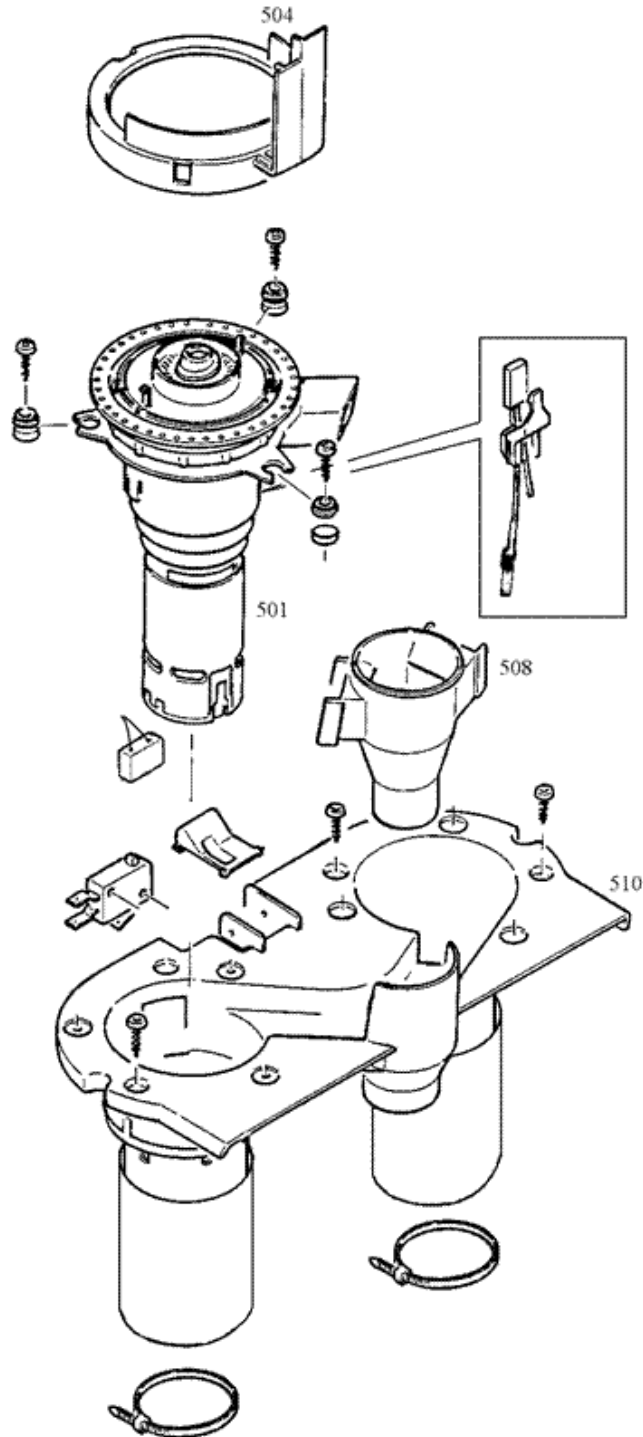
S13028_04



Pos	Designation	Material	Disassembly	Disposal	Variation	Return
0401	Bean container lid	ABS			X	
0401	Bean container lid cappu.	ABS			X	
0405	Regulating wheel cappu.	High-grade steel			X	
0405	Regulating wheel black	ABS			X	
0406	Bean container bolt black	ABS				
0407	Bean container	ABS / SAN / Silicone				
0413	Cup-support with railing inox	High-grade steel			X	
0413	Cup support	High-grade steel			X	
0415	Cover on top V2	ABS				

(5) Grinder

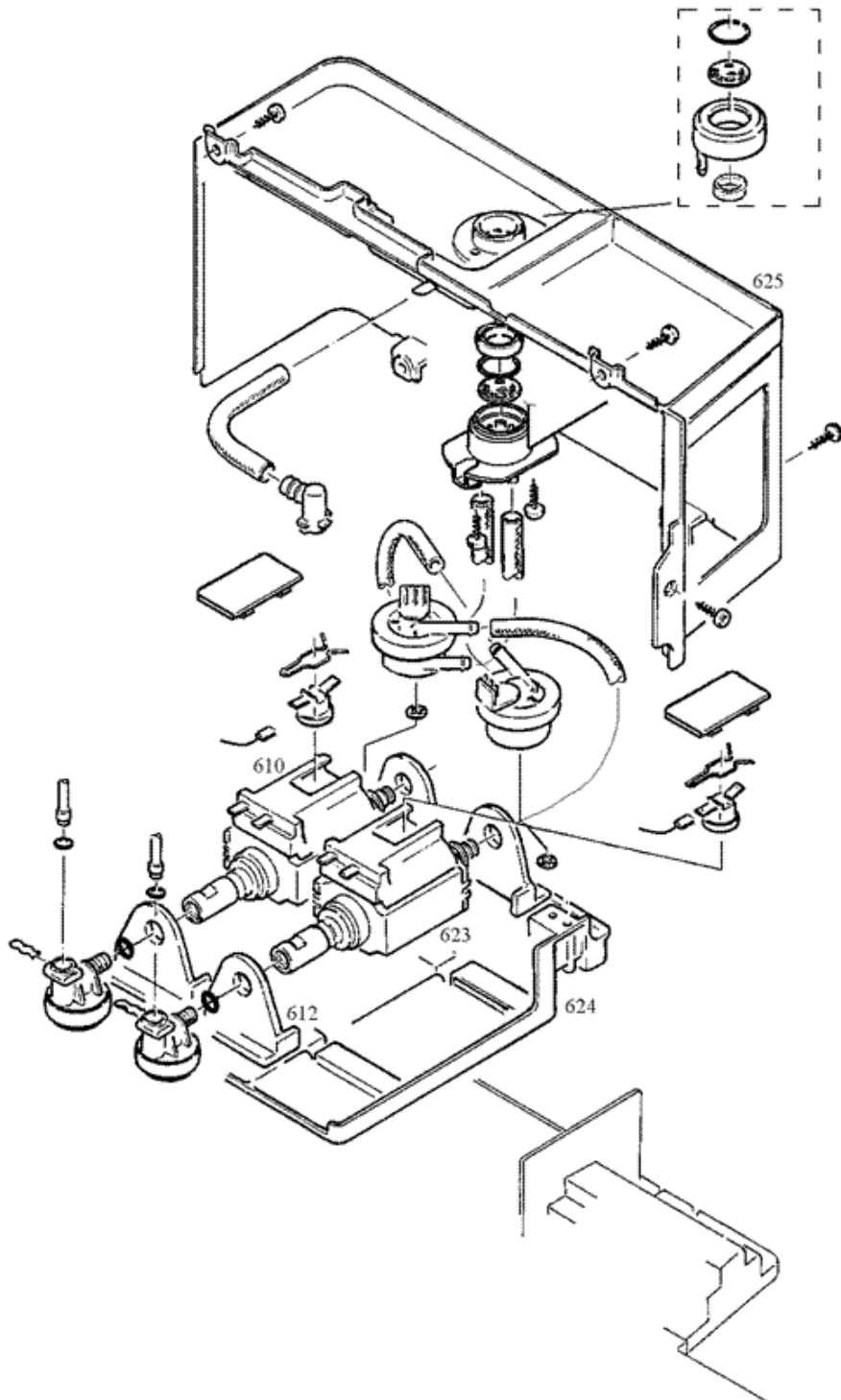
S13028_05



Pos	Designation	Material	Disassembly	Disposal	Variation	Return
0501	Grinder unit 230V X7/X9 RoHS	Electro / POM / PA / NBR / Steel / Messing			X	
0501	Grinder unit 120V V6	Electro / POM / PA / ABS / Steel			X	
0501	Grinder unit 100V V6	Electro / POM / PA / ABS / Steel			X	
0504	Regulating wheel black	PA				
0508	Funnel black	Silicone				
0510	Grinder support V2	ABS			X	
0510	Grinder support black	ABS			X	

(6) Fluid system

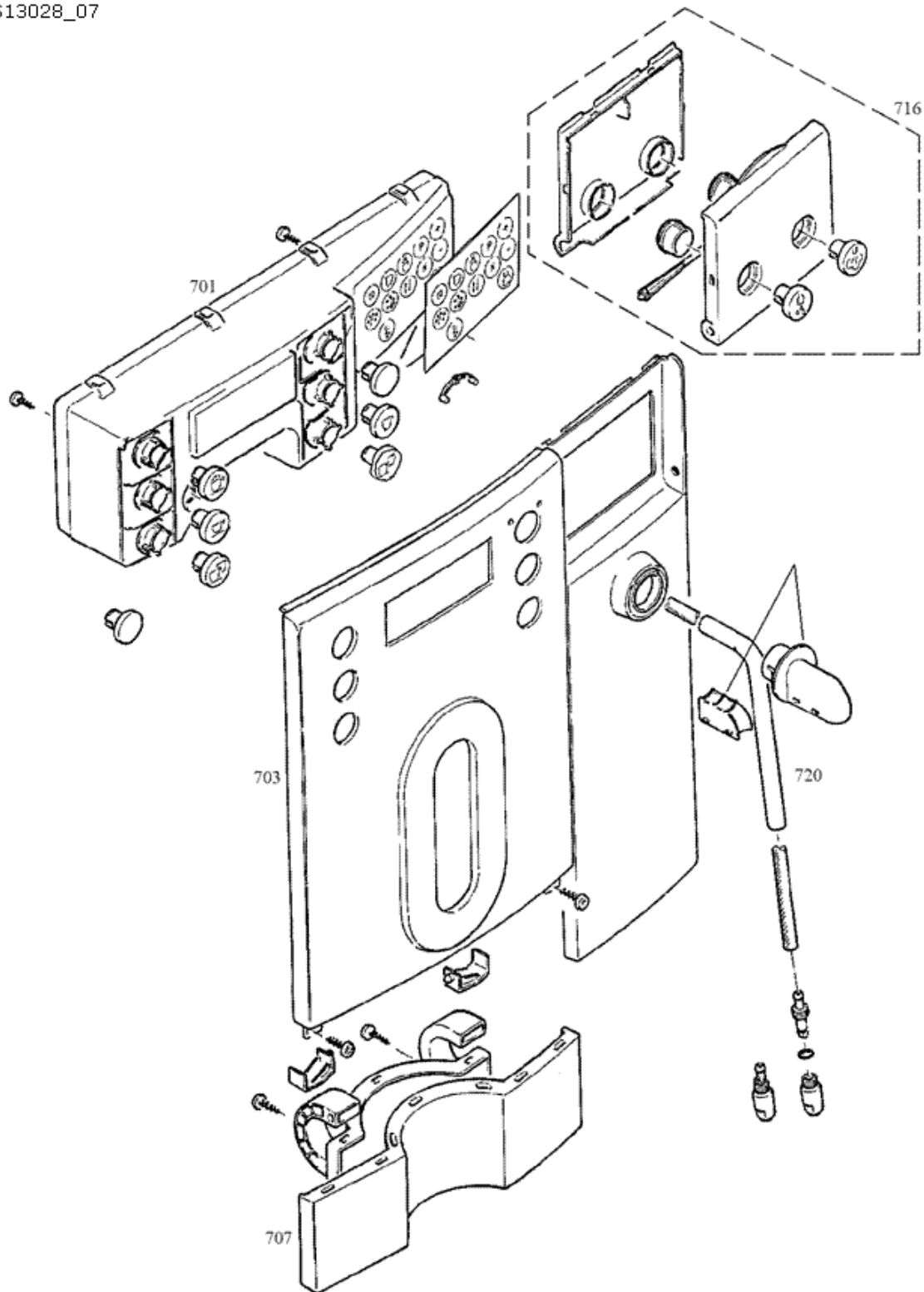
S13028_06



Pos	Designation	Material	Disassembly	Disposal	Variation	Return
0610	Pump IEC 100V X7/X9	Electro			x	
0610	Pump CP.04.116.0/ST/S/P 230V	Electro			x	
0610	Pump CP4/SP 110V/120V/60Hz	Electro			x	
0612	Pump carrier version 2	Gum				
0623	Pump 110-120V/60Hz	Electro			x	
0623	Pump 100V/50-60Hz	Electro			x	
0623	Pump cp3a/st 230v 50hz 65w	Electro			x	
0624	Pump support black	ABS				
0625	Tank base black	ABS				

(7) Front cover

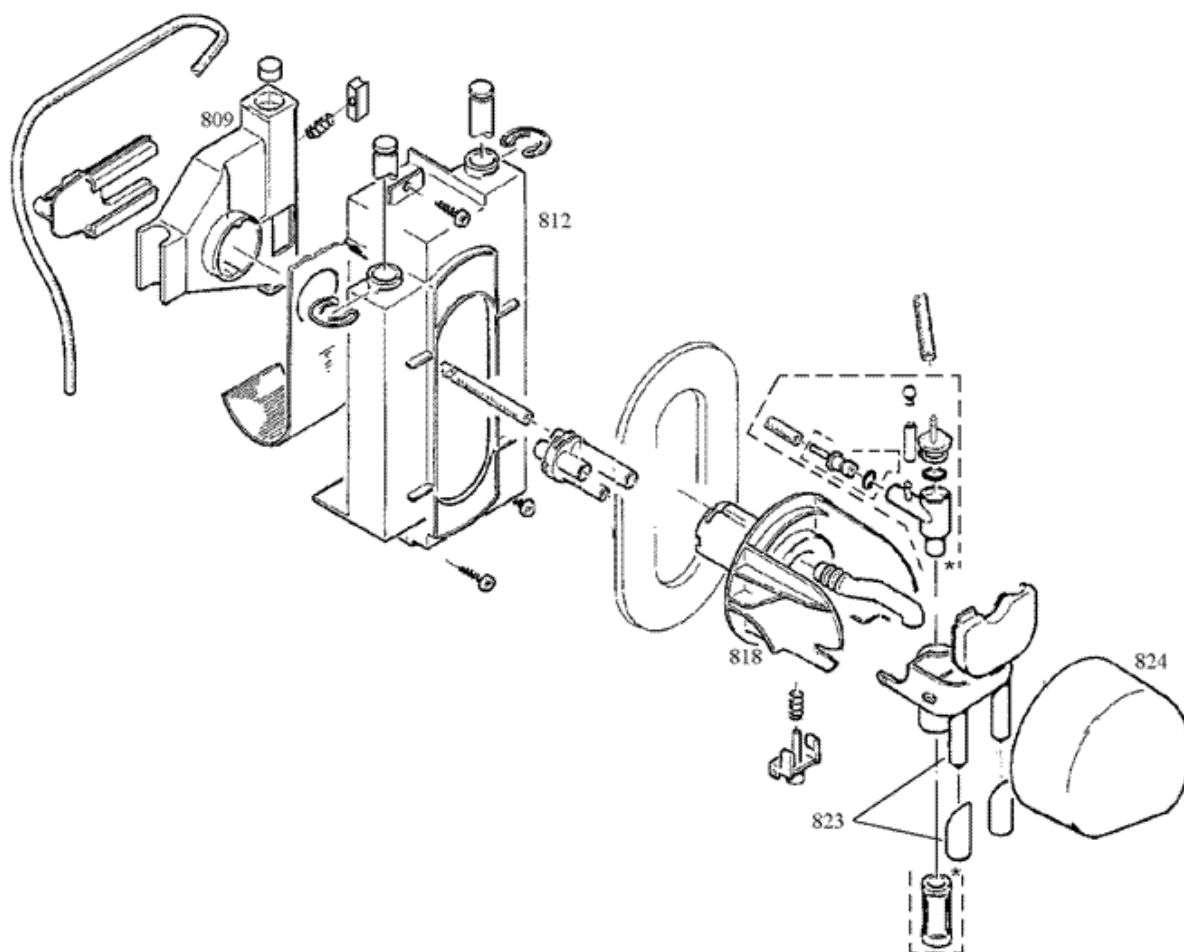
S13028_07



Pos	Designation	Material	Disassembly	Disposal	Variation	Return
0701	Logic printed board X7 RoHS	Electronic				
0703	Front shield cappu.	ABS			x	
0703	Front shield black	ABS			x	
0707	Shield cappu.	ABS			x	
0707	Used ground shield black	ABS			x	
0716	Hinged cover black assembled	ABS / POM				
0720	Discharge pipe Inox polished	Messing				

(8) Outlet

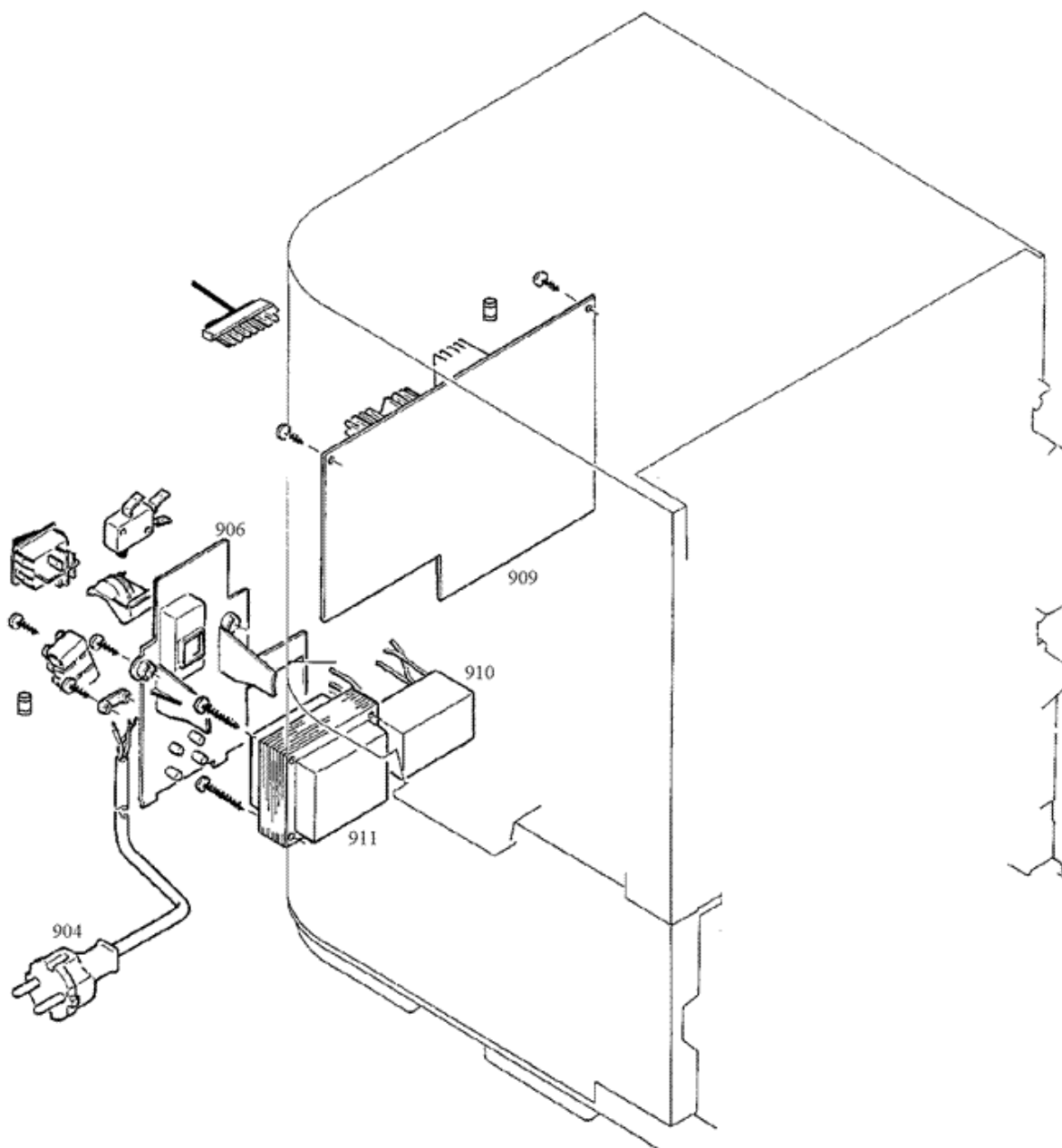
S13028_08



Pos	Designation	Material	Disassembly	Disposal	Variation	Return
0809	Guide assembled	PA				
0812	Guide support black	ABS				
0818	Outlet gate support black	ABS				
0823	Outlet ass.	PP / Messing				
0824	Cap chromium plated	ABS			x	
0824	Cap silver	ABS			x	

(9) Power PCB

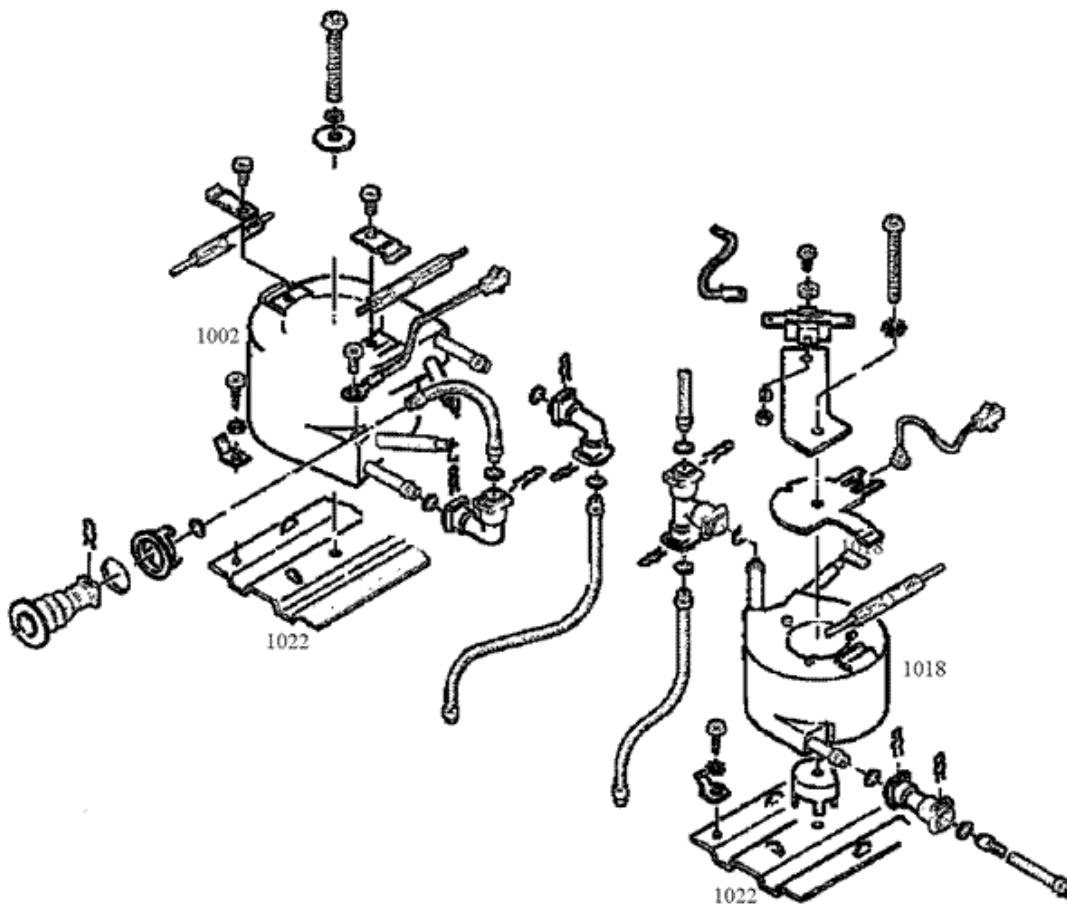
S13028_09



Pos	Designation	Material	Disassembly	Disposal	Variation	Return
0904	Incoming feeder V2 sw RoHS	Copper / Gum				
0906	Power cord support V2	ABS / PC				
0909	Power pcb 230V V4	Electronic			x	
0909	Power pcb 120V X7	Electronic			x	
0910	Interference eliminator	Electro				
0911	Transformer X7/X9 100V	Electro			x	
0911	Transformer 120V X7	Electro			x	
0911	Transformer 230V/35A	Electro			x	

(10) Heater

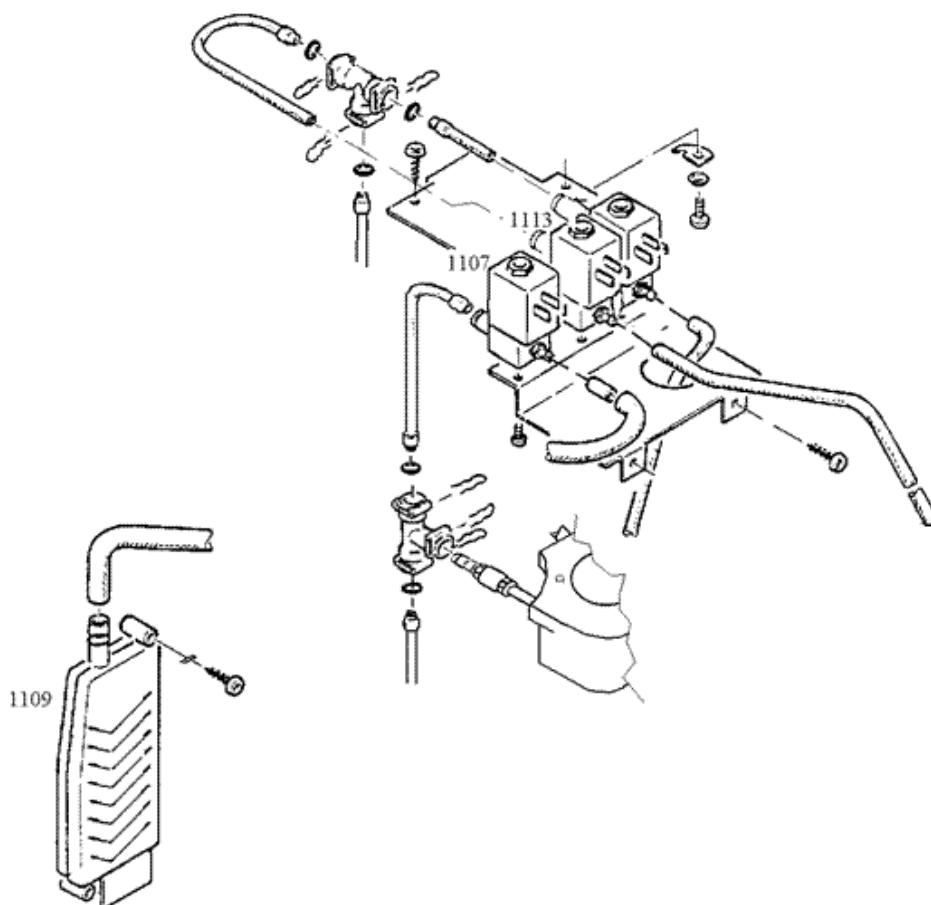
S13028_10



Pos	Designation	Material	Disassembly	Disposal	Variation	Return
1002	Thermoblock 2001 100V/1200W V2	AL / Steel			x	
1002	Thermoblock 2001 230V/1200W	AL / Steel			x	
1018	T-Block 2000 100V/1200W Typ 3	AL / Steel			x	
1018	Thermoblock 2000 230V/1200W	AL / Steel			x	
1022	Contact metal sheet	Steel				

(11) Valves

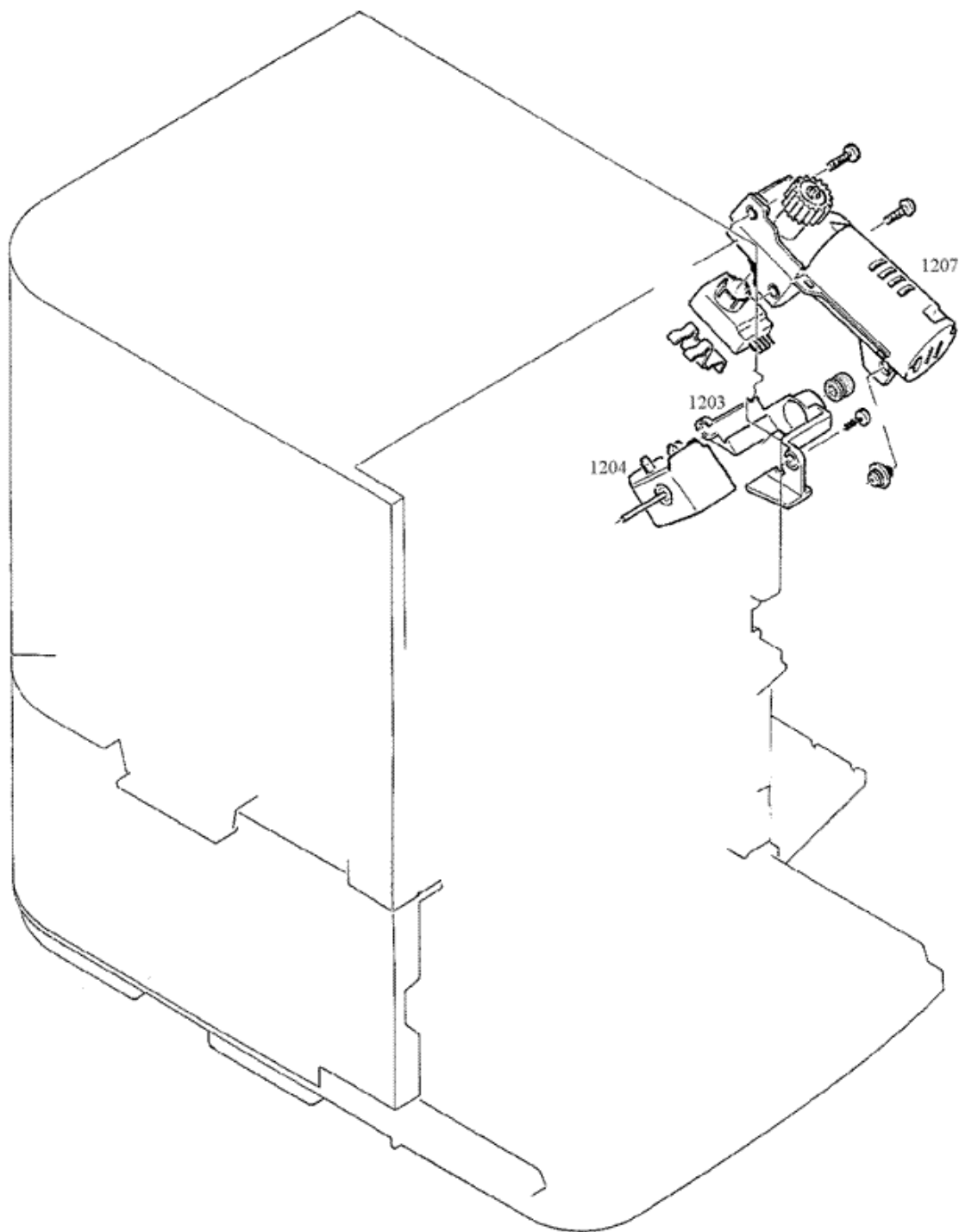
S13028_11



Pos	Designation	Material	Disassembly	Disposal	Variation	Return
1107	Valve 24V DC2/2 165861	Electro				
1109	Condens tray	PP				
1113	Plastic valve twin block	Electro				

(12) Drive

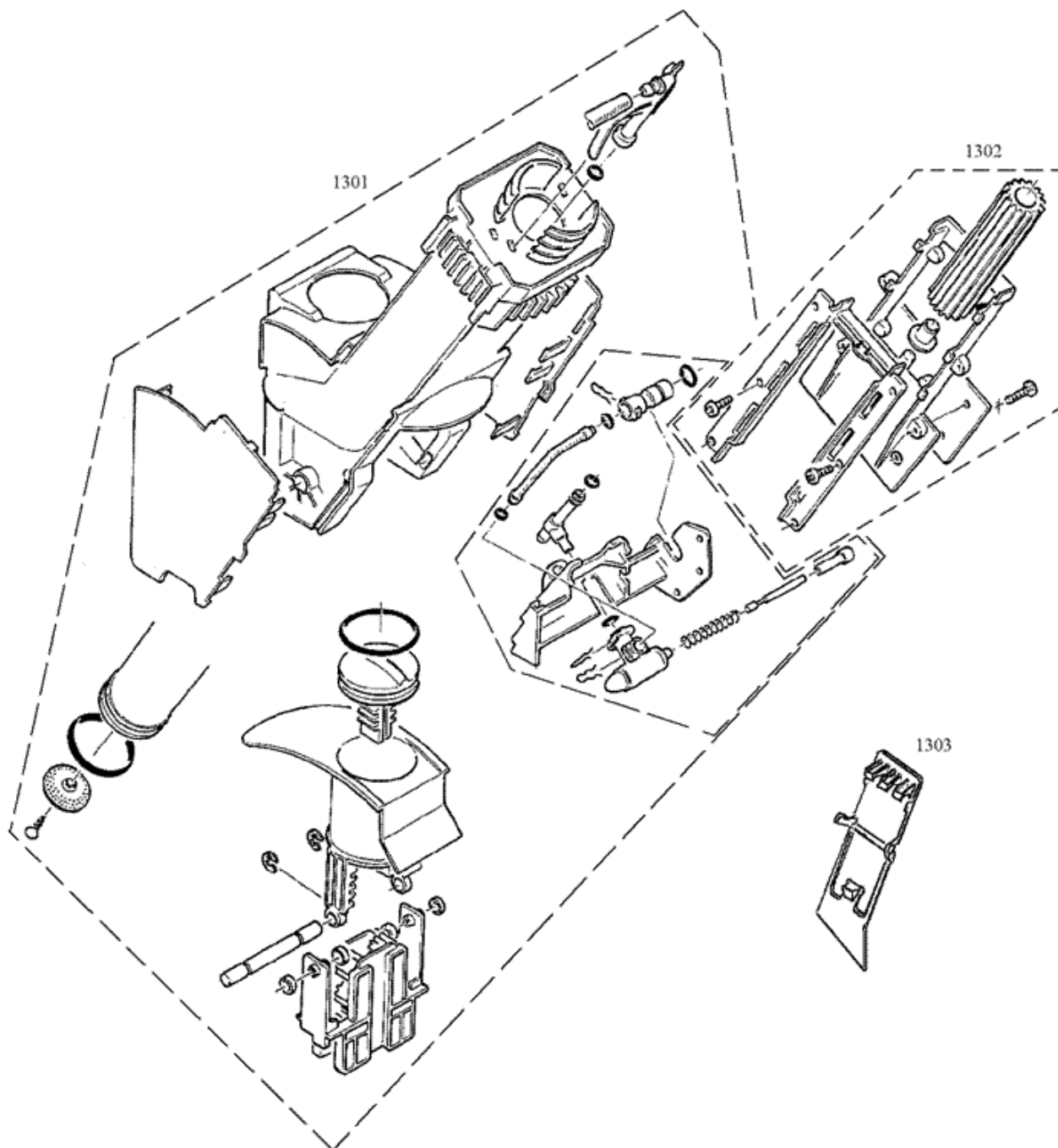
S13028_12



Pos	Designation	Material	Disassembly	Disposal	Variation	Return
1203	Drainage valve support	ABS				
1204	Magnet drainage valve IEC 230V	Copper / Steel / Plastic			x	
1204	Magnet drainage valve IEC 100V	Electro			x	
1204	Magnet drainage valve IEC 120V	Copper / Steel / Plastic			x	
1207	Geared motor 12V assem. RoHS	Electro / Messing / POM				

(13) Brew unit

S13028_13



Pos	Designation	Material	Disassembly	Disposal	Variation	Return
1301	Brew unit assembled	ABS / POM / PA / NBR / Steel / Silicone				
1302	Guide assembled quiet	AL / POM				
1303	Used ground blade X7 brown	POM				