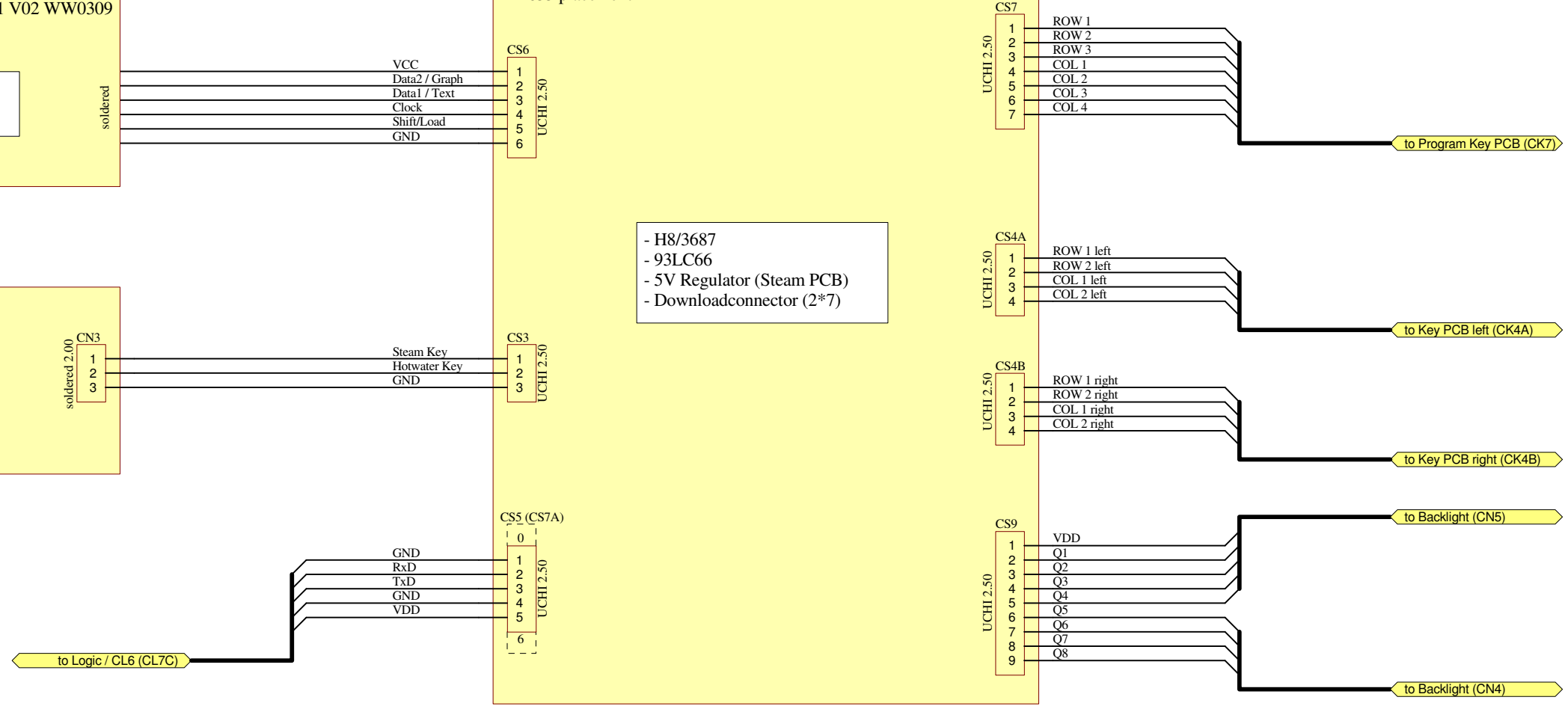
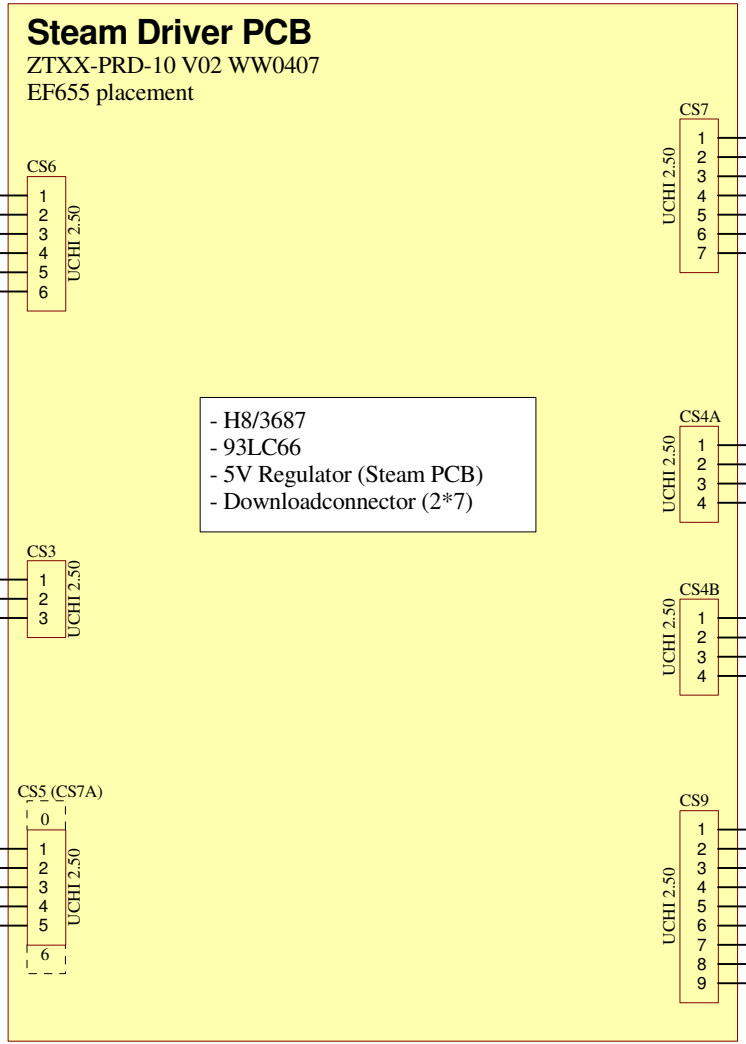
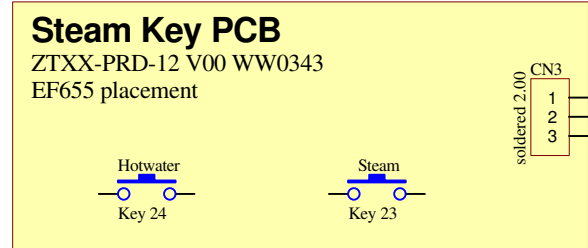
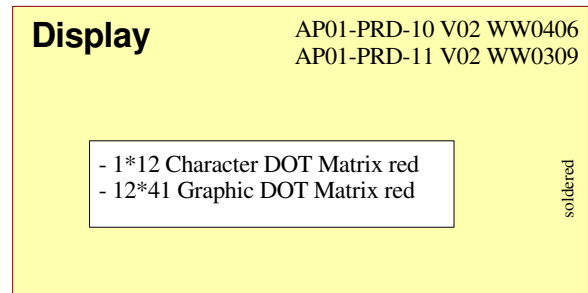


change notice	date	drawn	checked	approved	title	
3 correct PCB data's	061023	Hollenstein Thomas			EF655 Blocdiagram Overview	
2 add/correct PCB data's	060929	Hollenstein Thomas			size	drawingnumber
1 new template	060421	Hollenstein Thomas			A3	EF655 BL_0001 V01
						Revision
						061023

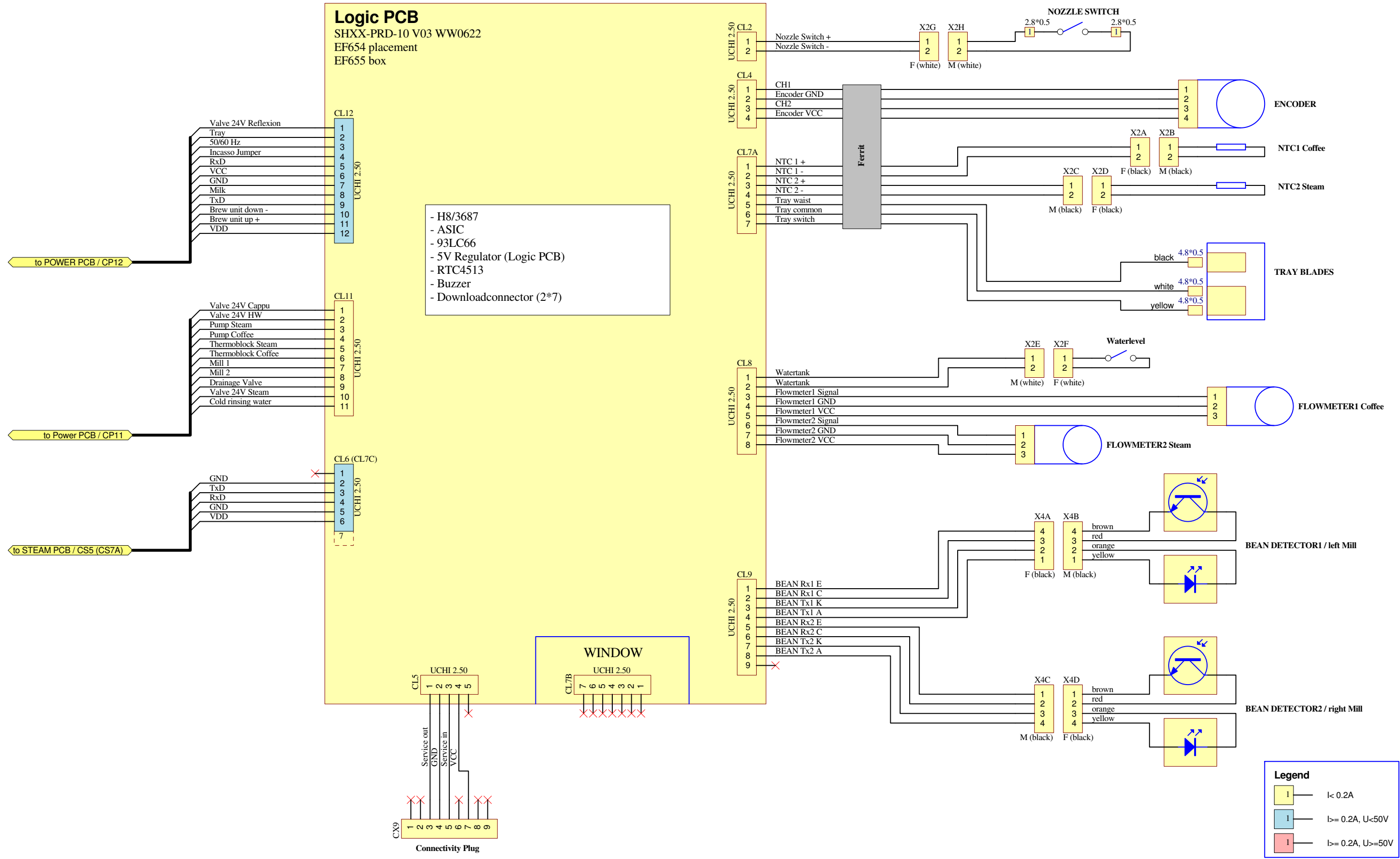





change notice	date	drawn	checked	approved
△ add PCB-data, diff. corrections, change title	061023	Hollenstein Thomas		
△ new template	060421	Hollenstein Thomas		

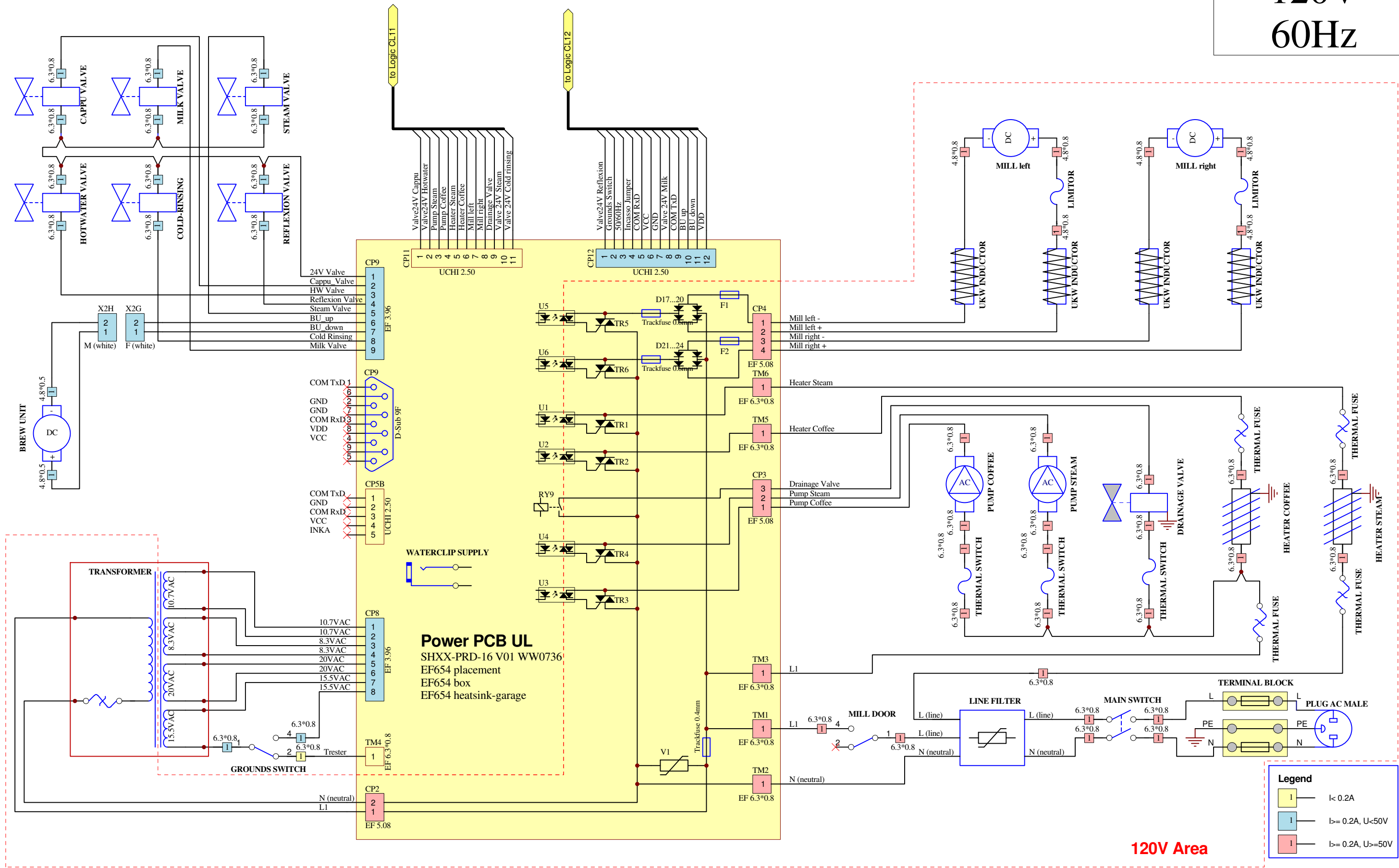
title  
**EF655 Blocdiagram Steam Driver**


size **A3** drawingnumber **EF655 BL\_0003 V01** version **061023**



change notice	date	drawn	checked	approved		title		Revision	
2 delete Part-details, add PCB details, diff. corrections	061023	Hollenstein Thomas				EF655 Blocdiagram Logic			061023
1 new template	060421	Hollenstein Thomas				size	drawingnumber		
					A3	EF655 BL_0002 V01			

120V  
60Hz



change notice	date	drawn	checked	approved		title	
						EF653/656 Blockdiagram Power 120V 60Hz	
new template	071011	Hollenstein Thomas			size	drawingnumber	version
					A3	EF653 BLM0008 V01	071011