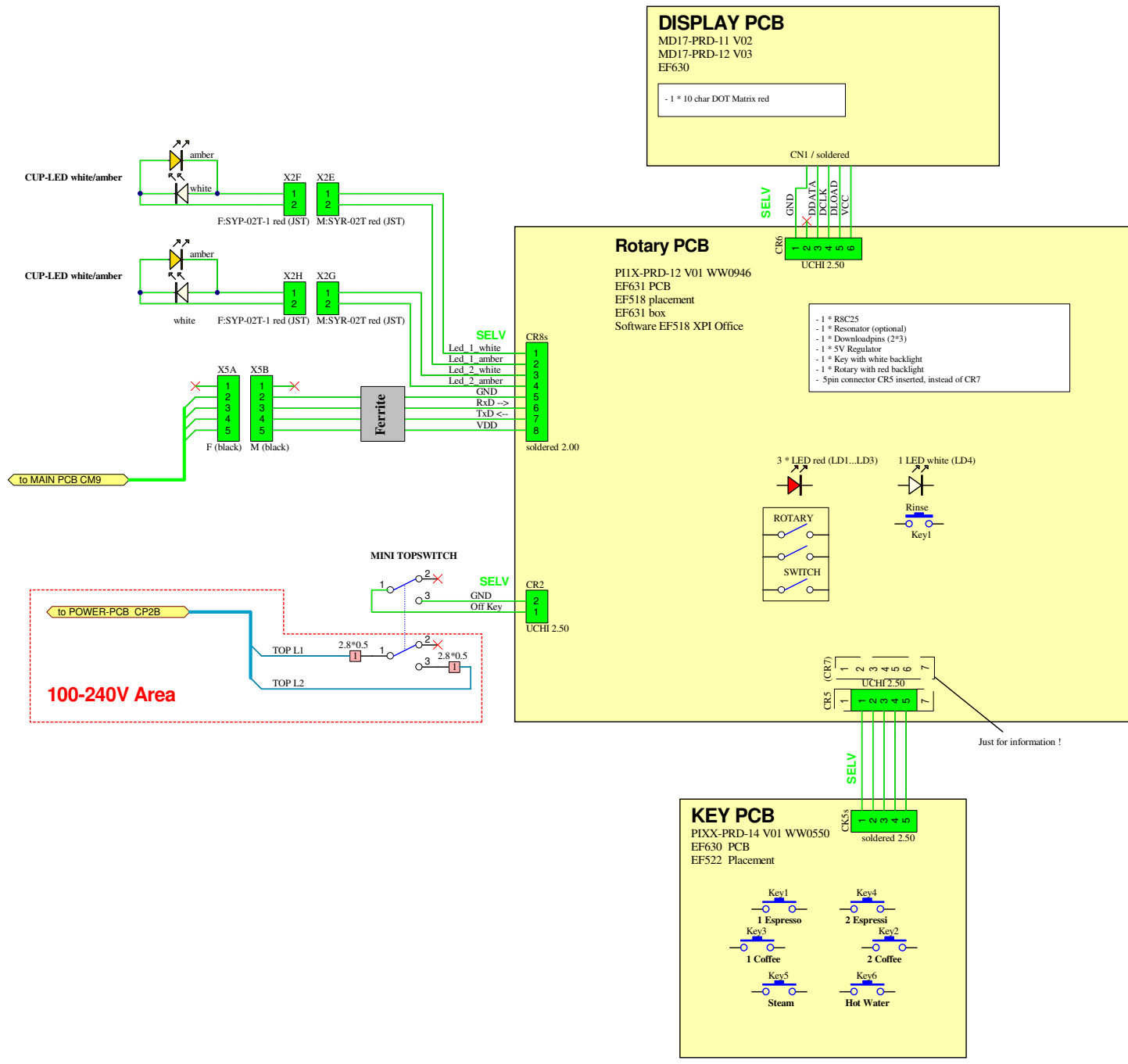


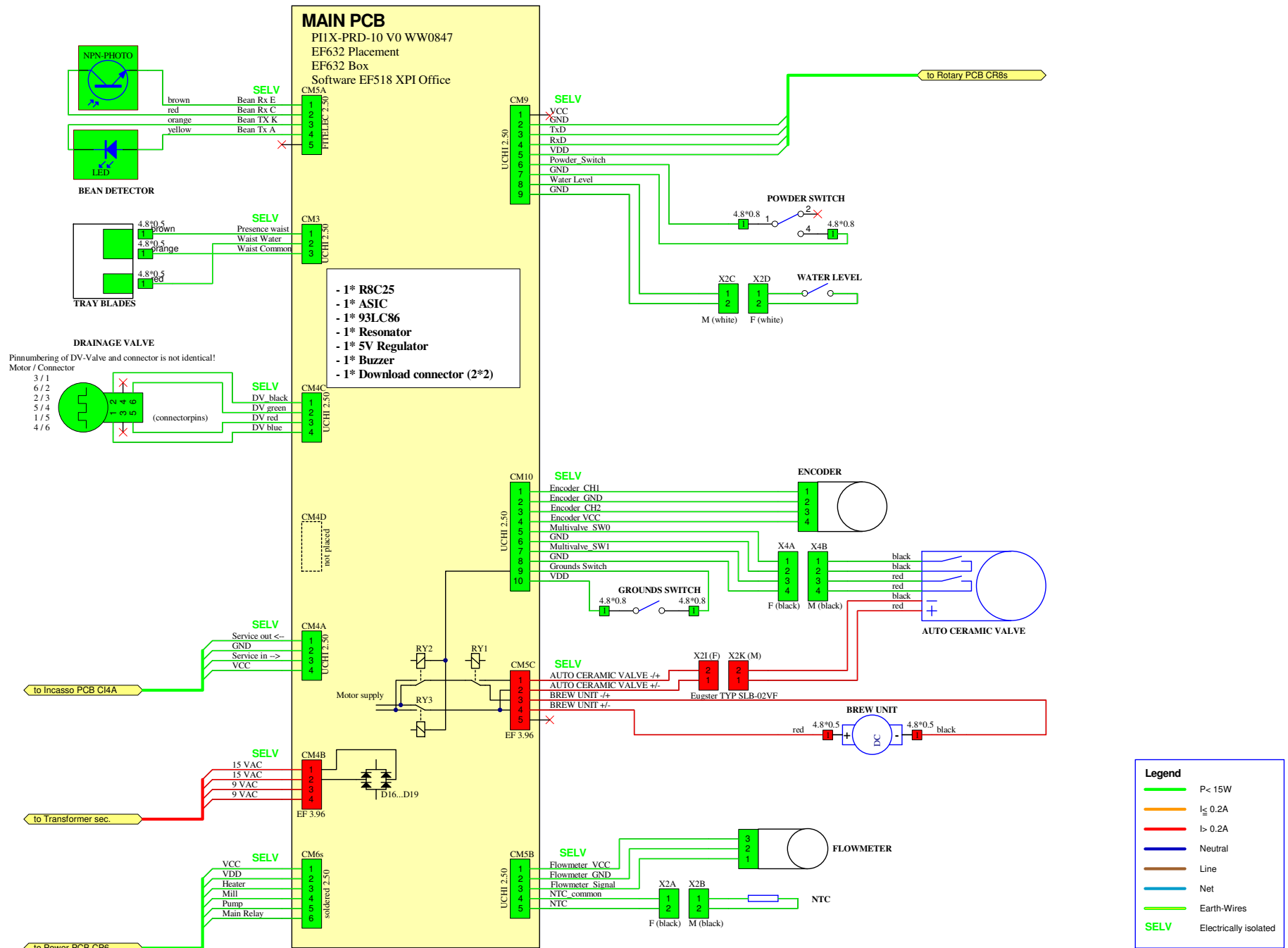
change notice	date	drawn	checked	approved	title
MD17-PRD-12 V02 to MD17-PRD-12 V03	120216	Ryser Daniel			EF518 XJ Office Blockdiagram Overview size A3 drawingnumber EF518 BL_0000 V00.SCHDOC Revision 120216
Delete Eeprom on Rotary PCB	111104	Ryser Daniel			
change blockdiagram title to EF518 XJ Office	110526	Foltrauer Heinz			





change notice	date	drawn	checked	approved	title
MD17-PRD-12 V02 to MD17-PRD-12 V03	120216	Ryser Daniel			EF518 XJ Office Blockdiagram Rotary Module size A3 drawingnumber EF518 BL_0002 V00.SCHDOC Revision 120216
Delete Eeprom on Rotary PCB	111104	Ryser Daniel			
Change blockdiagram title to EF518 XJ Office	110526	Foltrauer Heinz			

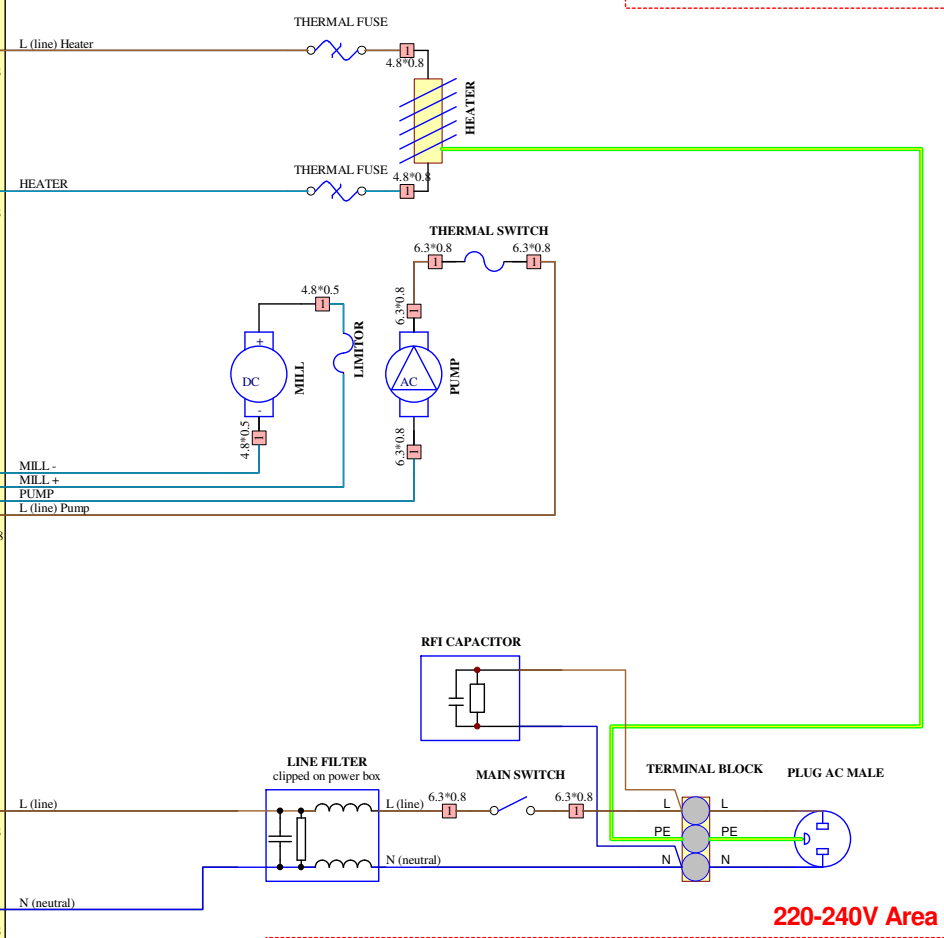
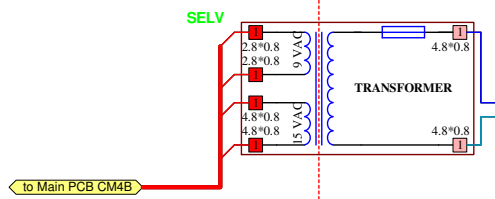
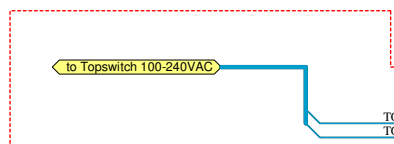
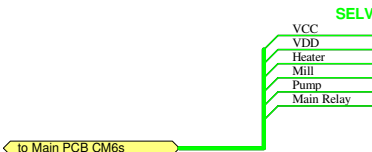
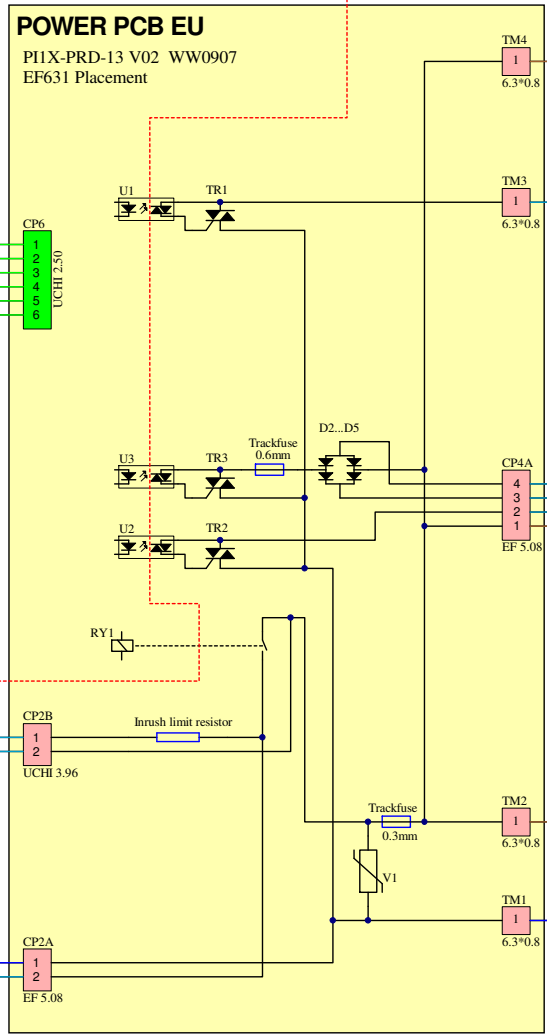




change notice	date	drawn	checked	approved	title
4 Delete UWK-Inductors for Brew Unit	111202	Ryser Daniel			EF518 XJ Office Blockdiagram Main size A3 drawingnumber EF518 BL_0001 V00.SCHDOC Revision 111202
change blockdiagram title to EF518 XJ Office	110526	Foltrauer Heinz			
Delete Pinchvalve Stepper - not used in EF518 XPI Office; Correct placement and box to EF632	110223	Ryser Daniel			



220-240V
50/60Hz



Legend

- P < 15W
- I ≤ 0.2A
- I > 0.2A
- Neutral
- Line
- Net
- Earth-Wires
- SELV Electrically isolated

change notice	date	drawn	checked	approved	title
Integrate RFI-Capacitor	120125	Ryser Daniel			EF518 XJ Office Blockdiagram Power 220-240V 50/60Hz size A3 drawingnumber EF518 BLA0001 V00.SCHDOC Revision 120125
Delete UKW-Inductors for Mill	111202	Ryser Daniel			
change blockdiagram title to EF518 XJ Office	110526	Ryser Daniel			