

PI-TFT-LOGIC-PCB

TFTX-PRD-10 V02 WW1020
EF520 PI-OT-TFT PCB
EF520 PI-OT-TFT Placement
Software EF521 XPI Profi

KEY AREA
- 6 * Keys (3pcs. LEFT + 3pcs. RIGHT)
- 3 * 2 matrix control

LEFT section: Key1, Key2, Key3
RIGHT section: Key4, Key5, Key6

LOGIC AREA
- 4-layer PCB
- RENESAS MCU: SH7264 / 0W 144 FPU
- System crystal: EPSON H516G (18MHz)
- MICRO-SD-Card reader (optional for International version)
- Download connector, JTAG
- 54 pin FPC connector to TFT
- CORE-supply of 1.2VDC: R2A20101NP or equivalent
- FLASH 32 MB: SPANSON S29GL256P90TFIR2
- 1* serial communication channel to ROTARY-PCB (UART, 3.3V)
- 1* serial communication channel to MAIN-PCB (UART, 5V)
- 3.3V power supply from ROTARY-PCB
- VDD power supply from ROTARY-PCB, for TFT backlight
- STEP-UP converter for TFT backlight, in CONSTANT-CURRENT operation !
- UART driver (5V levels) for serial comm. between TFT-PCB and MAIN-PCB
- Backlight dimming
- SPI interface between TFT element and MCU

TFT-DISPLAY

MF320240B35-BF

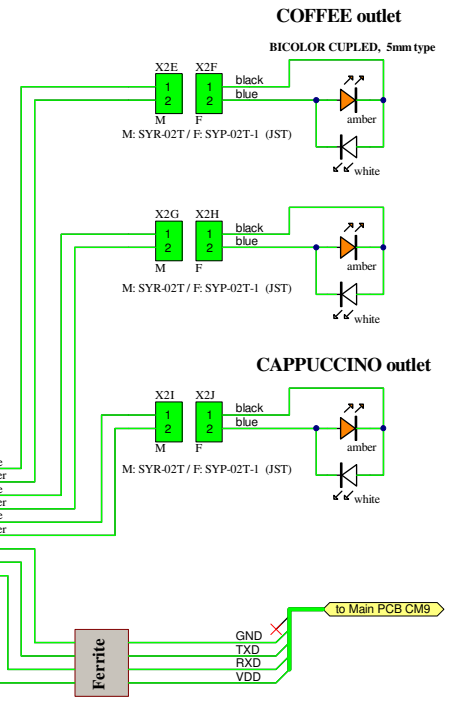
- 3.5" TFT-Display
- WAYTON MF320240B35-BF
- 320 x 240 pixel
- Backlight in TFT integrated, 19.2VDC nom.
- No pre-resistors in backlight
- 54 pin FPC cable
- Brightness: Min. 250 nits @20mA, 300 nits typical !
- Front cover transparent (must)

ROTARY PCB

TFTX-PRD-11 V02 WW1020
EF520 PI-OT-TFT Placement
EF520 PI-OT-TFT Box
Software EF521 XPI Profi

3 * LED red (LD1...LD3) 1 * LED white (LD4)

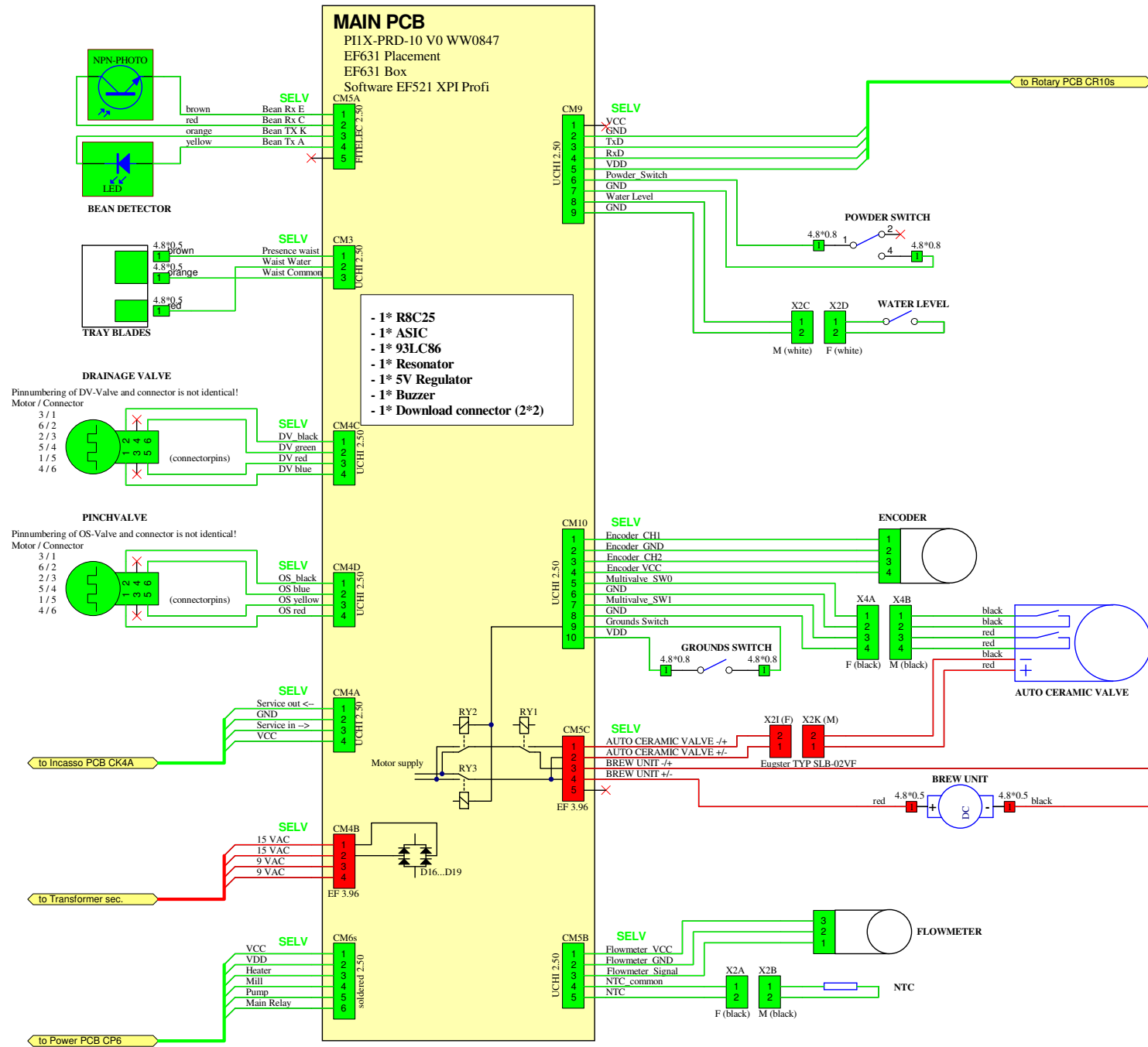
MCU: RENESAS R8C2L
- No EEPROM
- Resonator
- Downloadpins (2*2)
- VDD input from MAIN-PCB
- 5V Reg. for CUP-LIGHT, RINSE-LED and 74HC14 with L78L05 !
- 3.3V STEP-DOWN converter for internal MCU and TFT-supply
- 1pc Key RINSE
- 1pc White LED for RINSE Key
- 1pc ROTARY elements + ROTARY-Key
- 3pcs Red LEDs for ROTARY ring
- Connector for TOP-Switch (Logic part)
- Connector for KEY- PCB
- 74HC14 driver stage for BiColour-CUP-LIGHTS
- Connector for BiColour CUP-LIGHTS + MAIN-PCB
- 3pcs. of CUP-LIGHTS.
- UART, 3.3V level to PI-TFT-LOGIC-PCB !



Legend	
—	P < 15W
—	I ≤ 0.2A
—	I > 0.2A
—	Neutral
—	Line
—	Net
—	Earth-Wires
—	SELV Electrically isolated

change notice	date	drawn	checked	approved	title	size	drawingnumber	Revision
Insert new WAYTON-TFT	120814	Foltrauer Heinz			EF521 XJ Profi Blockdiagram Rotary Module	A3	EF521 BL_0002 V01.SCHDOC	120814
correct Board Version on TFT-Modul to tftx-prd-10v02ww1120	111107	Ryser Daniel						
change blockdiagram title to EF521 XJ Profi	110526	Ryser Daniel						





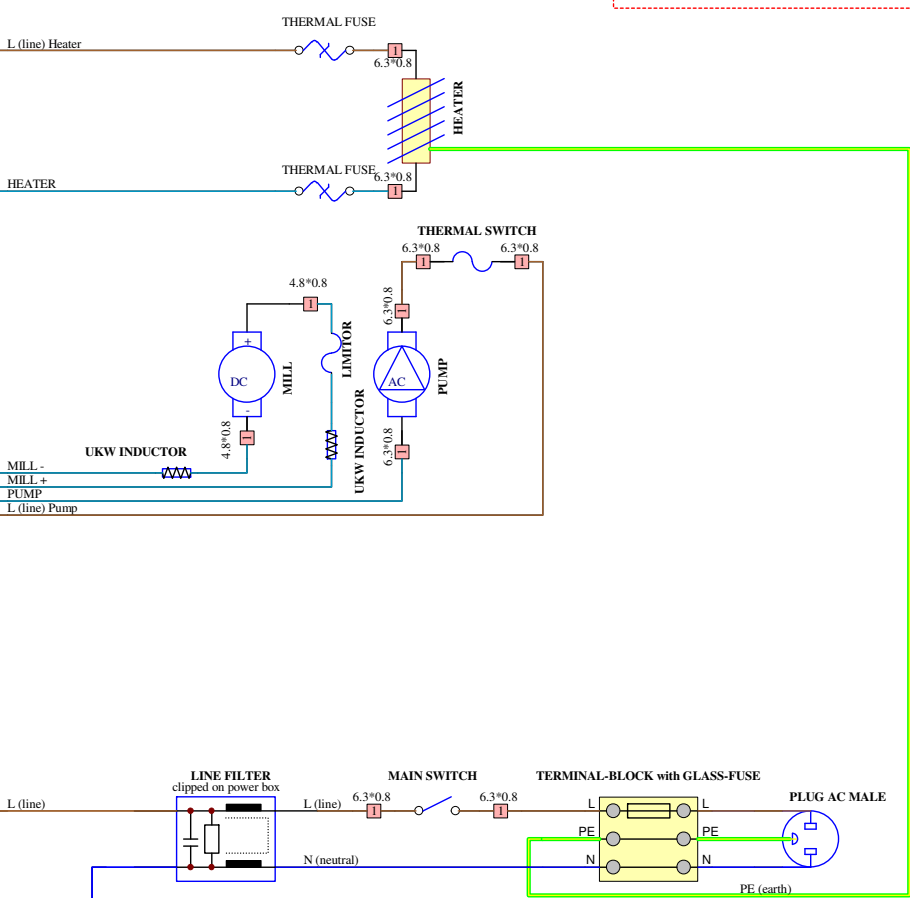
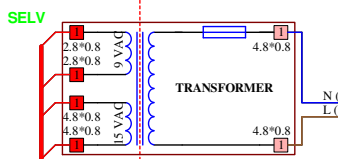
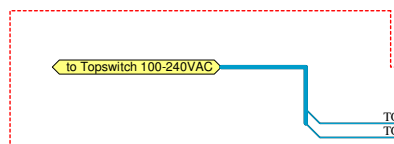
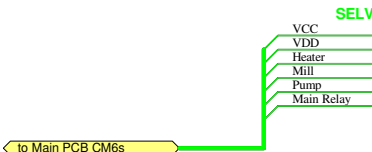
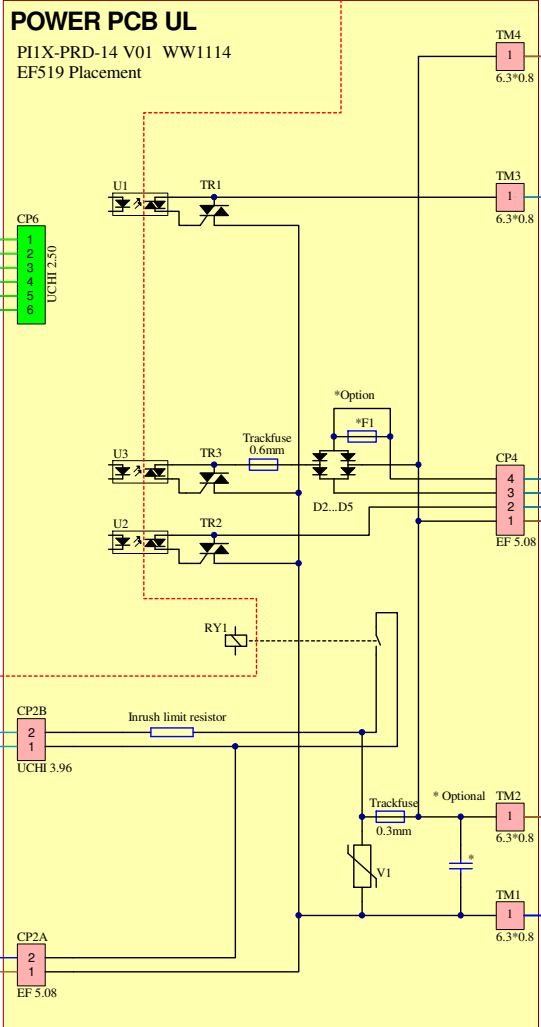
Legend

- P < 15W
- I ≤ 0.2A
- I > 0.2A
- Neutral
- Line
- Net
- Earth-Wires
- SELV Electrically Isolated

change notice	date	drawn	checked	approved	title
Change textmarker to Incasso PCB from CI4A to CK4A	120427	Ryser Daniel			EF521 XJ Profi Blockdiagram Main size A3 drawingnumber EF521 BL_0001 V01.SCHDOC Revision 120427
Delete UKW-inductors on Brew Unit path -> Decision Jura	111107	Ryser Daniel			
change blockdiagram title to EF521 XJ Profi	110526	Ryser Daniel			



120V
60Hz



120V area

Approbation history

TS1.0 - DAG: ESD/BURST/HF UL, TS1.0	Results Passed!	Report EMV-LAB 1226
TS1.0 - UL: Approbation	Results Passed!	Report NoA 12CA15692, E93416 Vol. 1

Legend

—	P < 15W
—	I ≤ 0.2A
—	I > 0.2A
—	Neutral
—	Line
—	Net
—	Earth-Wires
SELV	Electrically isolated

change notice	date	drawn	checked	approved		title EF521 XJ-PROFI Blockdiagram Power 120V 60Hz		
Integration of additional glass fuse at terminal block Update of approbation history	121022	Foltrauer Heinz				size A3	drawingnumber EF521 BLM0001 V01.SCHDOC	Revision 121022
Set drawing version V00, for mass production. Update approbation history	120814	Foltrauer Heinz						
change L(line) from transformer from blue to brown colour	120427	Ryser Daniel						