
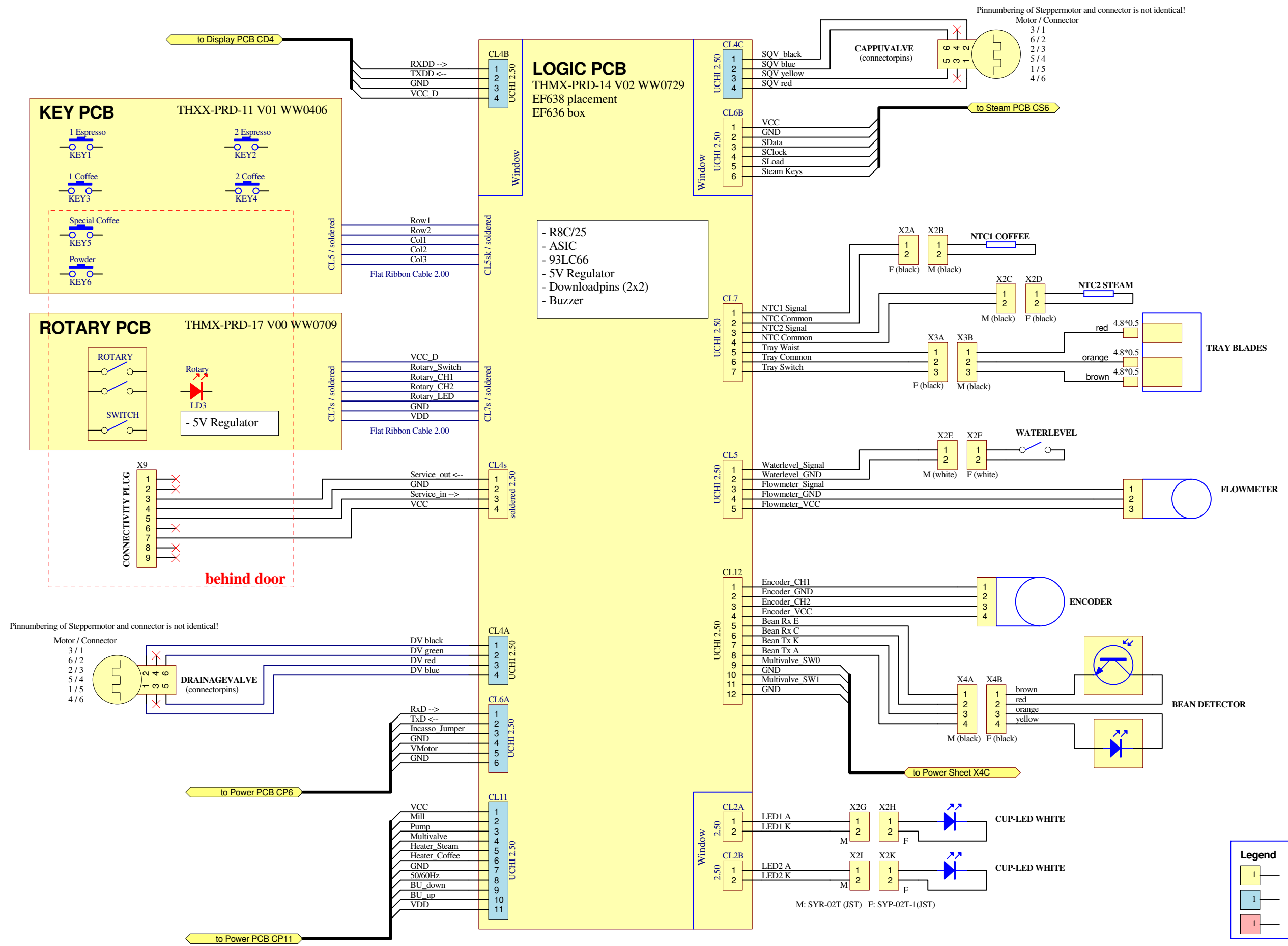

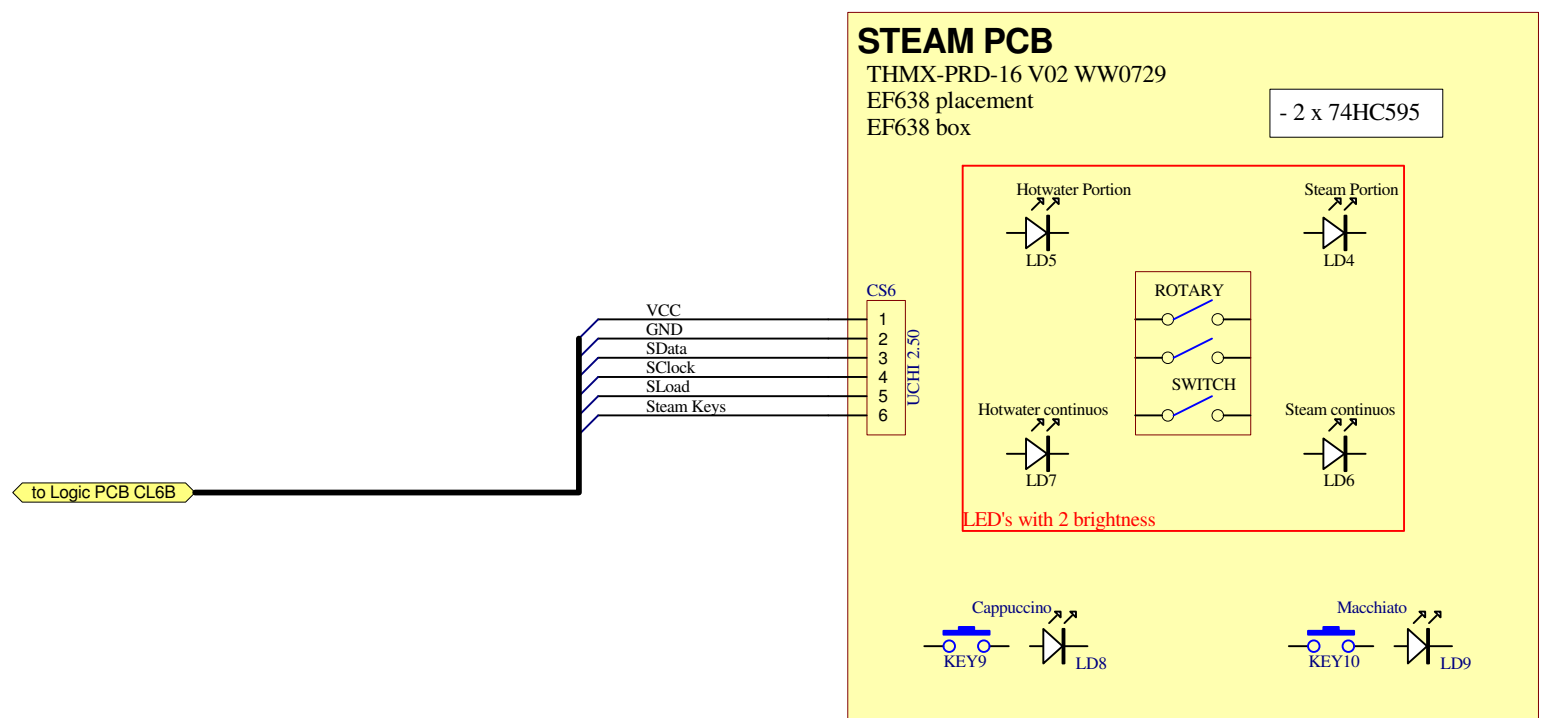



change notice	date	drawn	checked	approved	title		
4 White LED on Steam PCB (instead of red LED)	070809	Hollenstein Thomas				<b>EF638 Blockdiagram Overview</b>	
3 correct Display part	070209	Hollenstein Thomas				size	drawingnumber
2 New concept with changed micro-controller type	070131	Foltrauer Heinz				<b>A3</b>	<b>EF638 BL_0000 V01</b>
							Revision <b>070809</b>

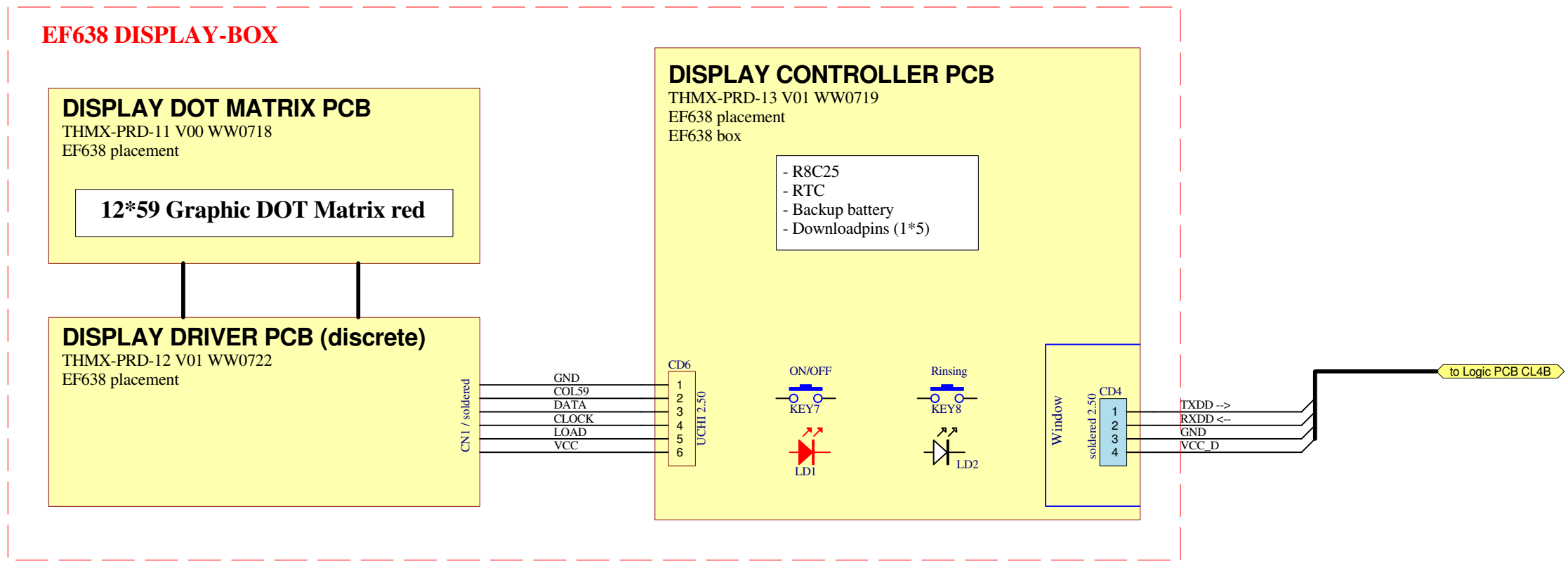


change notice	date	drawn	checked	approved		title	
11 correct colors of Drainagevalve	080219	Hollenstein Thomas				EF638 Blockdiagram Logic	
10 correct PCB data	070809	Hollenstein Thomas				size	drawingnumber
9 correct PCB data, Cappuvalve instead of Pinchvalve	070613	Hollenstein Thomas			<b>A3</b>	<b>EF638 BL_0001 V02</b>	Revision <b>080219</b>




Legend	
1	I < 0.2A
1	I ≥ 0.2A, U < 50V
1	I ≥ 0.2A, U ≥ 50V

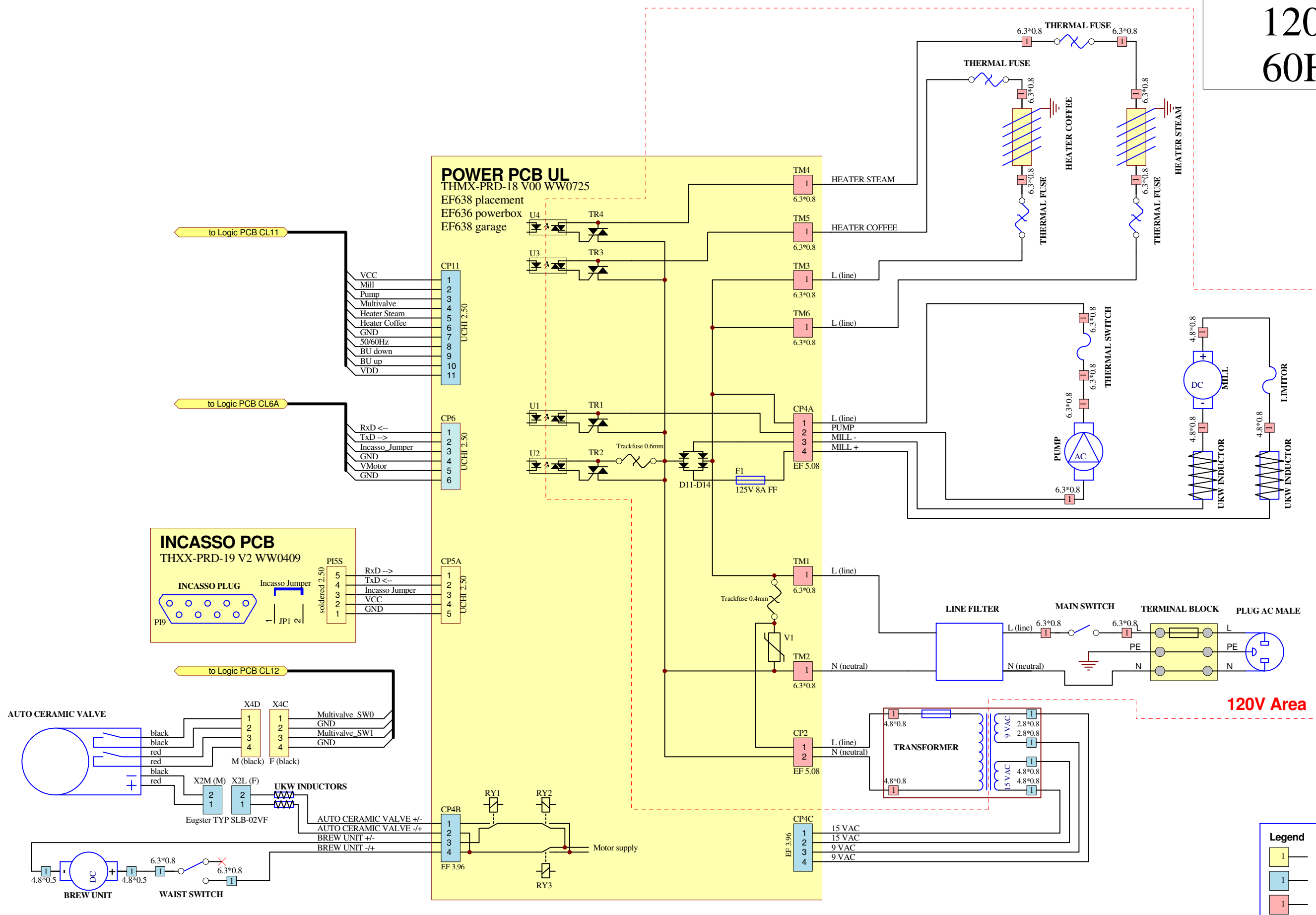
change notice	date	drawn	checked	approved	title	size	drawingnumber	Revision
7 white LEDs instead of red LEDs, correct PCB data	070809	Hollenstein Thomas			 <b>EF638 Blockdiagram Steam</b>	<b>A3</b>	<b>EF638 BL_0003 V01</b>	<b>070809</b>
6 correct PCB data	070613	Hollenstein Thomas						
5 add PCB data	070504	Hollenstein Thomas						



Legend	
1	I < 0.2A
1	I ≥ 0.2A, U < 50V
1	I ≥ 0.2A, U ≥ 50V

change notice		date	drawn	checked	approved		title	
							EF638 Blockdiagram Display (discrete)	
new template		070809	Hollenstein Thomas				size	drawingnumber
						<b>A3</b>	EF638 BL_0012 V01	<b>070809</b>


120V  
60Hz



120V Area

**Legend**

	< 0.2A
	≥ 0.2A, U<50V
	≥ 0.2A, U≥50V

change notice		date	drawn	checked	approved		title	
							EF639 Blockdiagram Power 120V 60Hz	
new template		070924	Hollenstein Thomas				size	drawingnumber
						<b>A3</b>	EF639 BLM0000 V01	<b>070924</b>