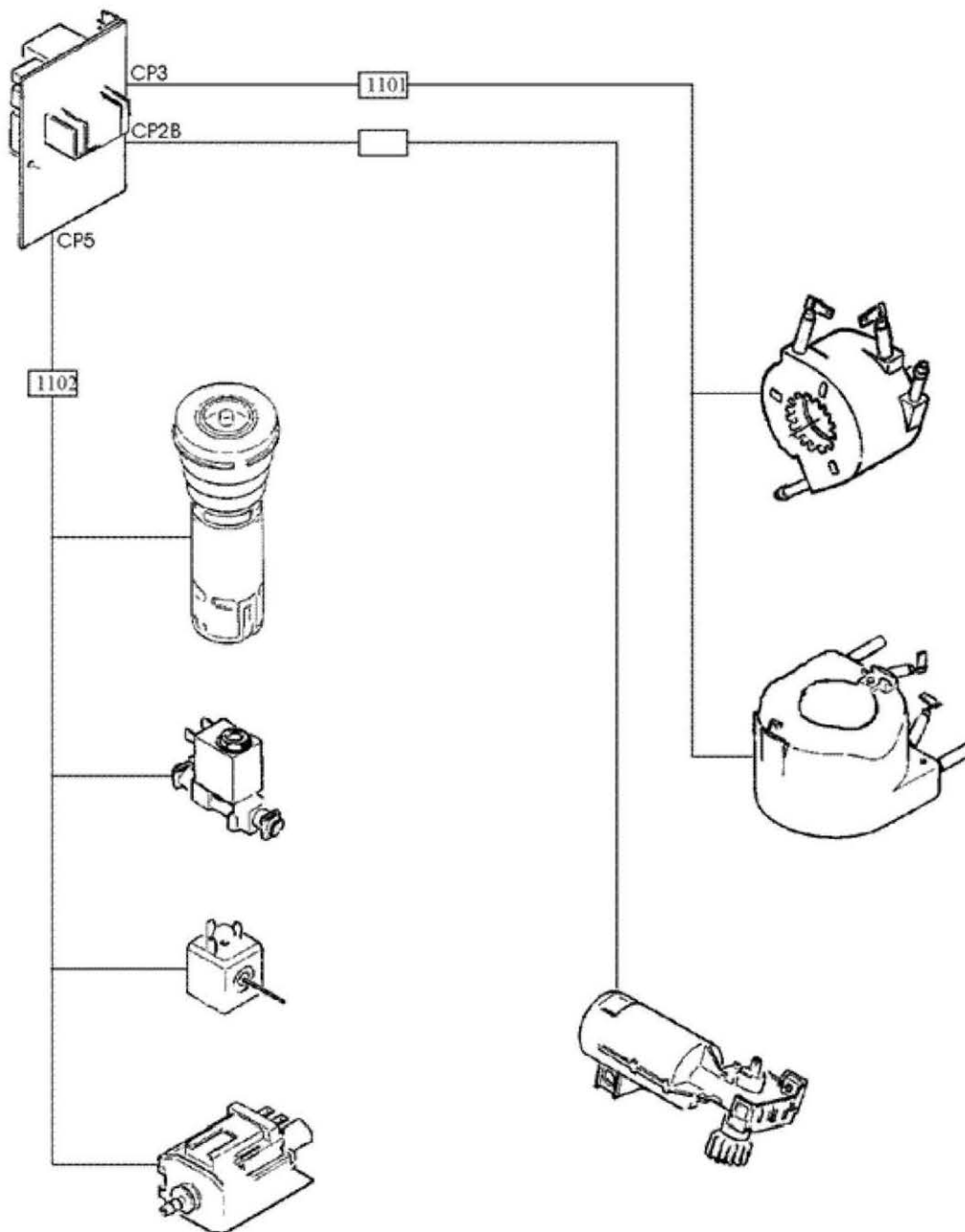


(11) Electrical contacts

S13297\_11



S13297 Impresa XS90 black EU 230V/50Hz [SCHUKO] 650 B1

ELEKTROAPPARATE AG |

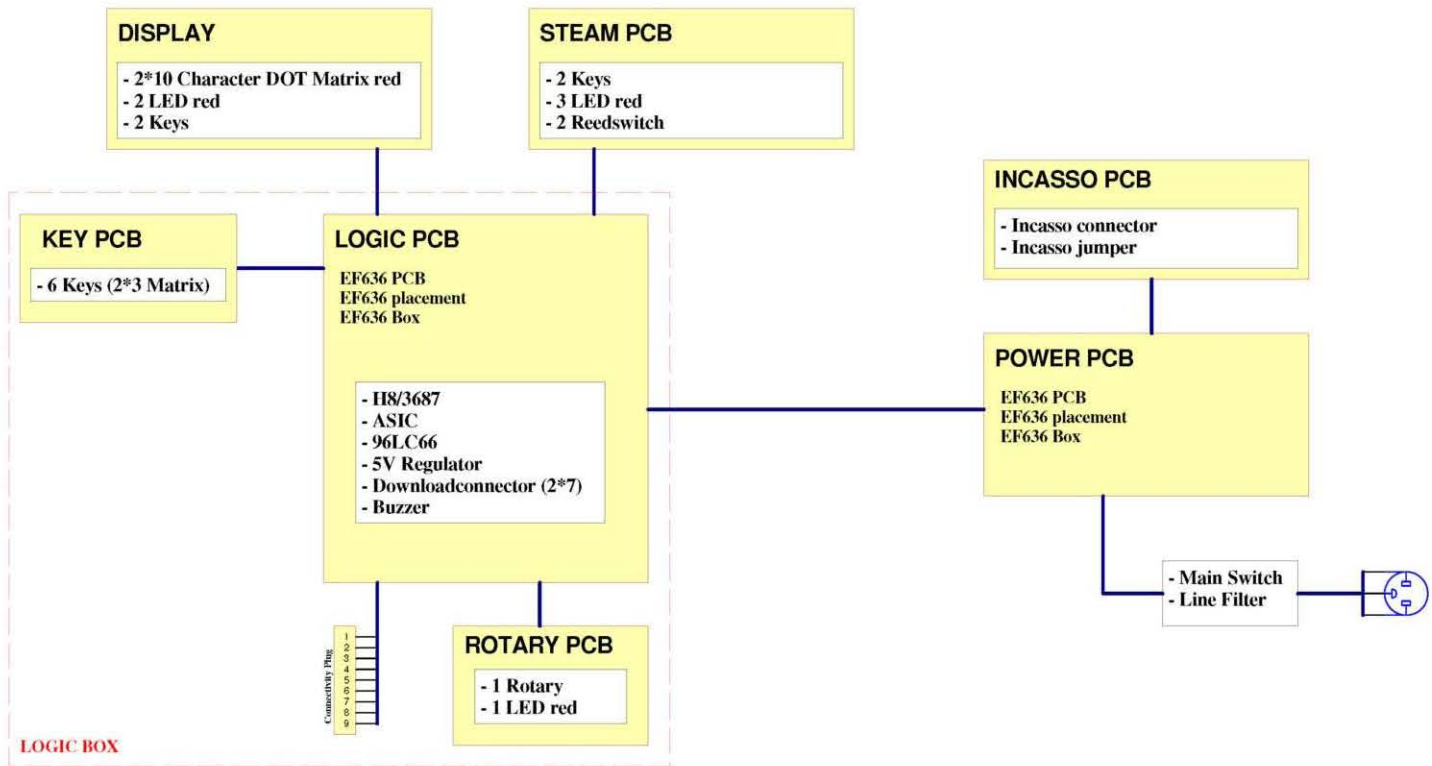
Switch

Edition: 06/08/08

Art.-Nr.	Pos	Designation	Variation	Stock	SC
66152	1101	Jumper cable 3col.		X	
67139	1102	Connecting S9 AVG		X	

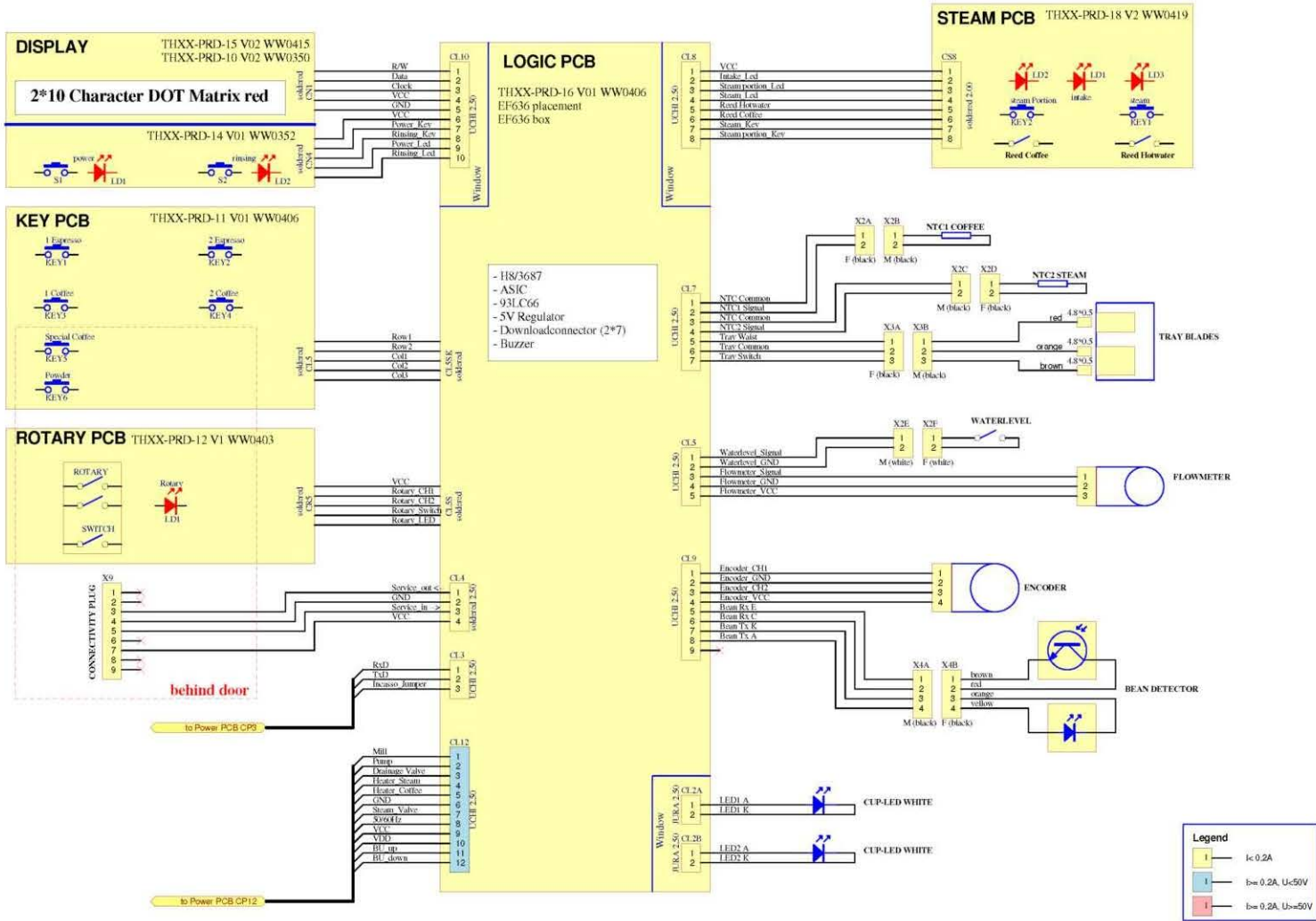
(1) Main diagram

X:\Projekte\Betreuung\Hardware\636 THETA RotHS EF636\Aktuelle Daten\EF636 Bloc & cable\061016 delete part details, add pcb data\061016 EF636\_637 Bloc & Cable.dcb - Documents\bloctdiagram:EF637 BL\_0001 V01



change notice	date	drawn	checked	approved	size	drawingnumber	Revision
3 correct parts on logic pcb, change title	061016	Hollenstein Thomas			TOP tronic	EF637 Bloctdiagram Overview	061016
2 small part-corrections	060915	Hollenstein Thomas					
1 new template	060509	Hollenstein Thomas					

size	drawingnumber	Revision
A3	EF637 BL_0001 V01	061016

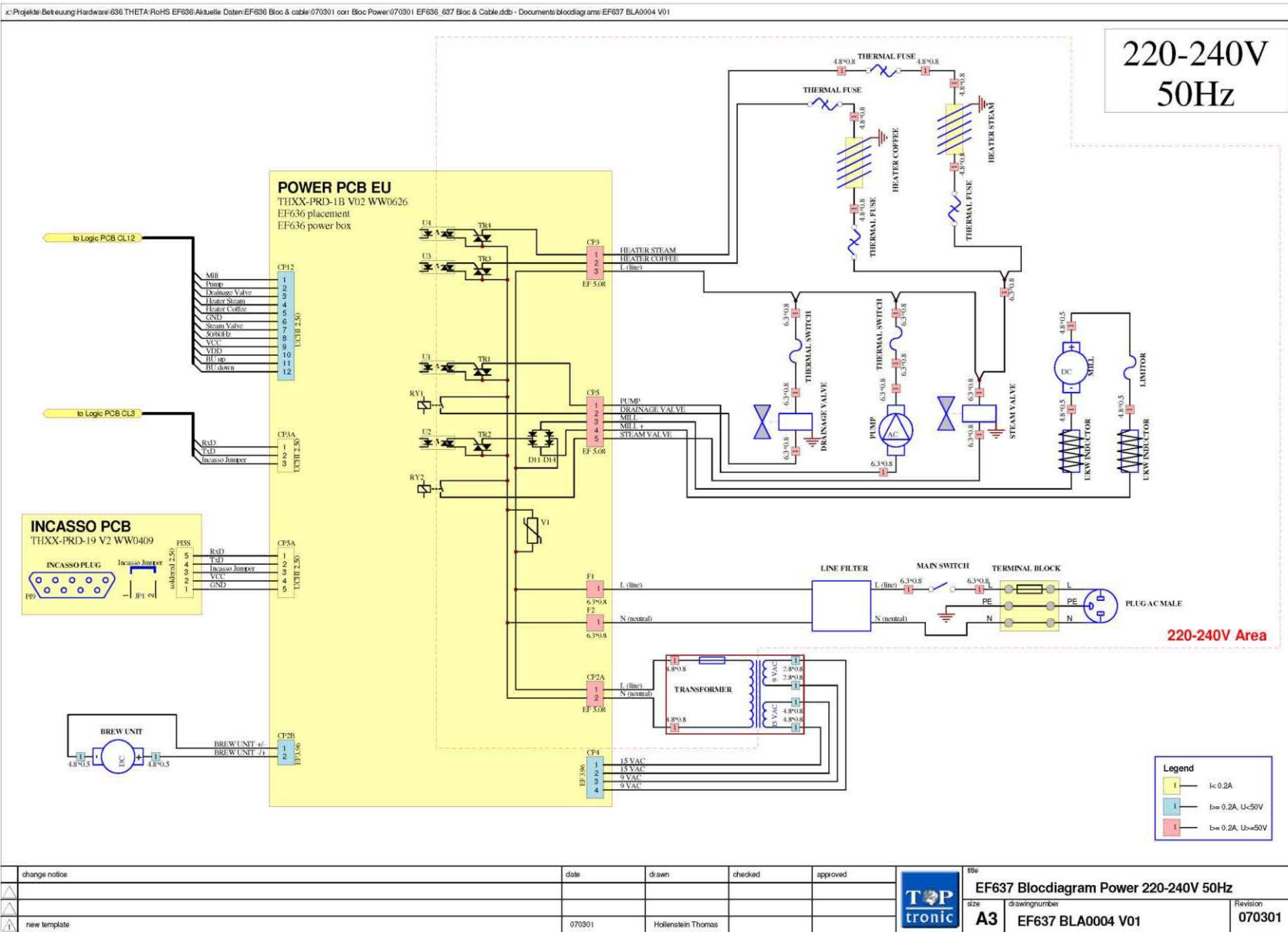


change notice	date	drawn	checked	approved	size	EF636/637 Bloccdiagram Logic	Revision
3 delete part-details, correct PCB-details	061016	Hollenstein Thomas			A3	EF636 BL_0002 V01	061016
2 add PCB-details, add net-labels	060915	Hollenstein Thomas					
1 new template	060509	Hollenstein Thomas					

(2) Scheme logic

S13297 Imprensa XS90 black EU 230V/50Hz [SCHUKO] 650 B1  
 Edition: 06/08/08  
 Switch

z:\Projekte\Bereuung Hardware\636 THETA RoHS EF636 Aktuelle Daten\EF636 Bloc & cable\070301 cori Bloc Power\070301\_EF636\_637 Bloc & Cable.ddb - Documents\bloodiagram\EF637\_BLA0004\_V01



change notice	date	drawn	checked	approved		title	EF637 Blocdiagram Power 220-240V 50Hz size A3 drawingnumber EF637_BLA0004_V01 Revision 070301
▲							
▲	070301	Hollenstein Thomas					